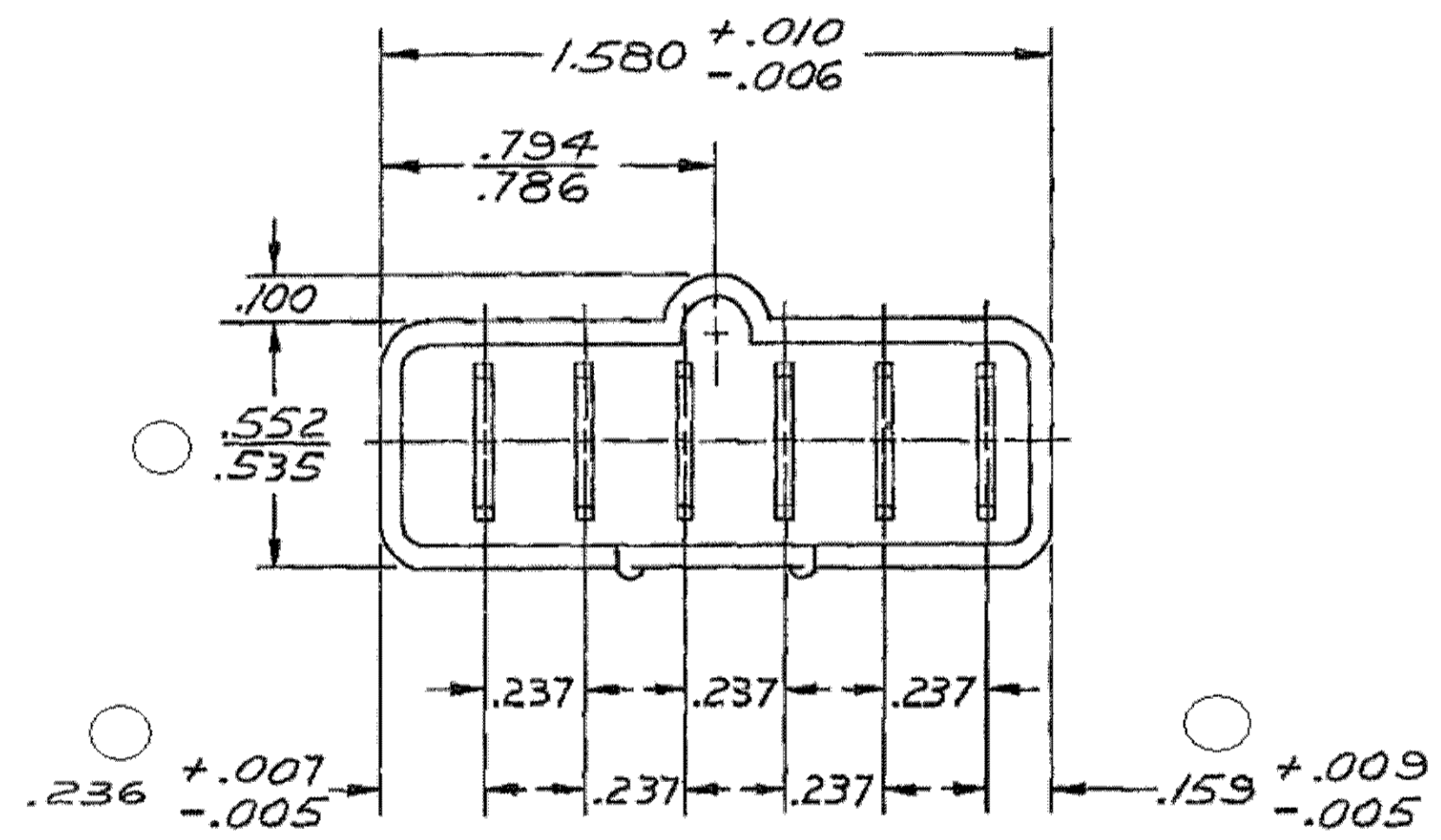
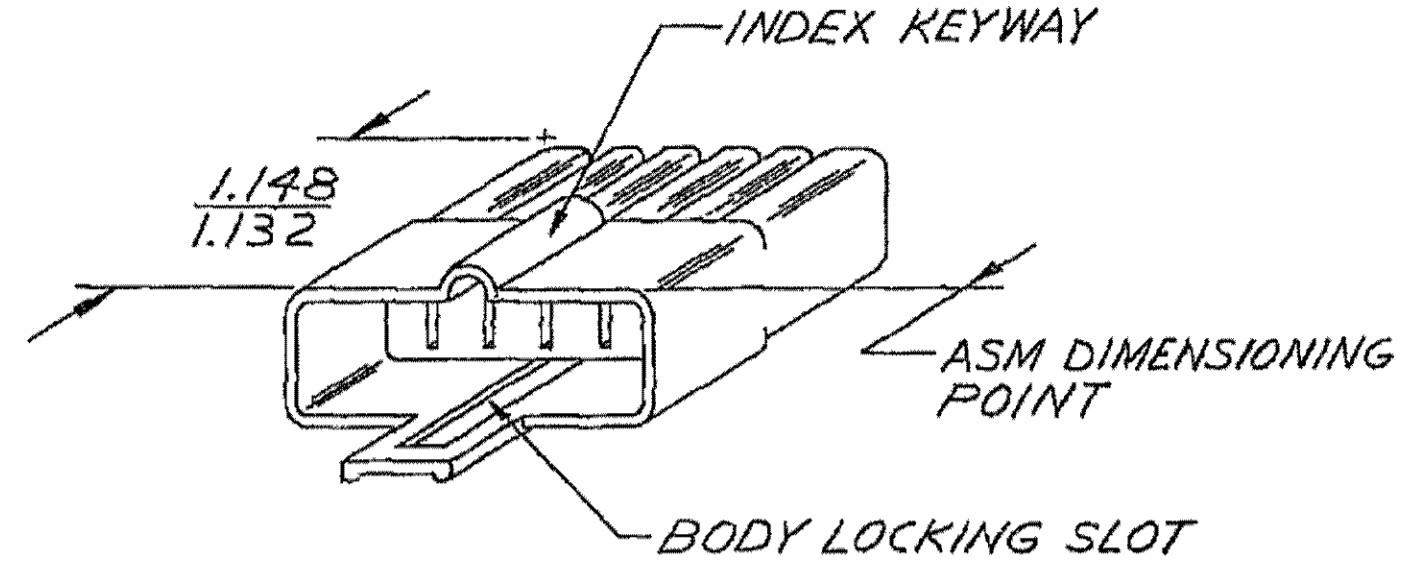


DWG STATUS					ZONE	REVISION HISTORY	AUTH	DR	APVD 1	APVD 2
DATE	STG	REV	N/P	CHG						
14JA72		-				PICTURE REVISED	45122			
16DE04	R	02	-	-		MATERIAL WAS R-67550	262018	MJM	MJM	ET
11N005	R	02	AA	-		.552/.535 WAS .552/.540 , .236 +.007/-.005 WAS .236 ± .005 & .159 +.009/-.005 WAS .159 ± .005	274638	CCV	JVM	ET



NOTES

- UNLESS OTHERWISE SPECIFIED AND/OR INDICATED:
DIMENSIONS ARE TO FACE OF VIEW SHOWN.
- MATERIAL RECYCLING CODE PER ISO 11469. (.090)X(.004) RAISED CHARACTERS AS SHOWN TO BE LOCATED ON ANY EXTERIOR SURFACE. OPTIONAL CONSTRUCTION TO BE NO MATERIAL RECYCLING CODE.
- (.090)X(.004) RAISED DELPHI CORPORATE BRAND TO BE LOCATED ON ANY EXTERIOR SURFACE, PREFERABLY VISIBLE AT FINAL ASSEMBLY. OPTIONAL CONSTRUCTION TO BE "PED" OR NO LOGO.
- REFERENCE MATING COMPONENTS OR EQUIVALENT:
CONNECTOR 06288538.

DWG TYPE		PART DRAWING																																														
STYLE																																																
VOLUME (CM ³)	DISTR CODE																																															
	D																																															
UNLESS OTHERWISE SPECIFIED																																																
THIS DOCUMENT IS IN ACCORDANCE WITH ASME Y14.5M-1994 AS AMENDED BY THE GM GLOBAL DIMENSIONING AND TOLERANCING ADDENDUM - 1997. ALL GEOMETRIC TOLERANCES AND RELATED DATUMS APPLY RFS. RULE #1 (PERFECT FORM AT MMC) DOES NOT APPLY WHEN RELATIONSHIP BETWEEN FEATURES IS ESTABLISHED BY ORIENTATION OR LOCATION TOLERANCES. SEPARATE POSITION CALLOUTS MAY BE GAGED SEPARATELY, REGARDLESS OF DATUM REFERENCE.																																																
ALL DIMENSIONS ARE IN INCHES																																																
REFERENCE		THIRD ANGLE PROJECTION	DO NOT SCALE																																													
<table border="1"> <tr> <td colspan="5">N/A PROCESS SENSITIVE DIMENSION</td> </tr> <tr> <td colspan="5">DIMENSIONS ENCLOSED IN () INDICATE REFERENCE DIMENSIONS AND NO TOLERANCE LIMITS ARE ESTABLISHED</td> </tr> <tr> <td>DIMENSIONAL RANGE (IN)</td> <td>CHART</td> <td>H</td> <td colspan="2"></td> </tr> <tr> <td>FROM</td> <td>0</td> <td>>.750</td> <td>>1.250</td> <td>>2.750</td> </tr> <tr> <td>TO</td> <td>.750</td> <td>1.250</td> <td>2.750</td> <td>4.000</td> </tr> <tr> <td colspan="5">TOLERANCE UNLESS OTHERWISE SPECIFIED</td> </tr> <tr> <td></td> <td>±.005</td> <td>±.010</td> <td>±.012</td> <td>±.016</td> </tr> <tr> <td></td> <td></td> <td></td> <td>±.016</td> <td>±.020</td> </tr> <tr> <td colspan="5">ANGULAR TOLERANCE ±2°</td> </tr> </table>		N/A PROCESS SENSITIVE DIMENSION					DIMENSIONS ENCLOSED IN () INDICATE REFERENCE DIMENSIONS AND NO TOLERANCE LIMITS ARE ESTABLISHED					DIMENSIONAL RANGE (IN)	CHART	H			FROM	0	>.750	>1.250	>2.750	TO	.750	1.250	2.750	4.000	TOLERANCE UNLESS OTHERWISE SPECIFIED						±.005	±.010	±.012	±.016				±.016	±.020	ANGULAR TOLERANCE ±2°					USE MATH DATA	UNIGRAPHICS
N/A PROCESS SENSITIVE DIMENSION																																																
DIMENSIONS ENCLOSED IN () INDICATE REFERENCE DIMENSIONS AND NO TOLERANCE LIMITS ARE ESTABLISHED																																																
DIMENSIONAL RANGE (IN)	CHART	H																																														
FROM	0	>.750	>1.250	>2.750																																												
TO	.750	1.250	2.750	4.000																																												
TOLERANCE UNLESS OTHERWISE SPECIFIED																																																
	±.005	±.010	±.012	±.016																																												
			±.016	±.020																																												
ANGULAR TOLERANCE ±2°																																																

DELPHI					
DELPHI PACKARD ELECTRIC SYSTEMS WARREN, OH					
DR					DATE
APVD1 T. MUDREY					22SE66
APVD2 R. KOLLAR					23SE66
APVD3 LUBERT					24SE66
APVD4					
APVD5					
SUBSTANCES OF CONCERN AND RECYCLED CONTENT PER DELPHI 10949001					
MATERIAL M2097001 PP 1M BLK					
DRAWING NAME CONN 6 M 56 BLK					
DRAWING NUMBER 06288539					
SIZE A2	SCALE N/A	FRAME NO 1 OF 1	SHEET NO 1 OF 1	STG R	REV 02
				N/P AA	