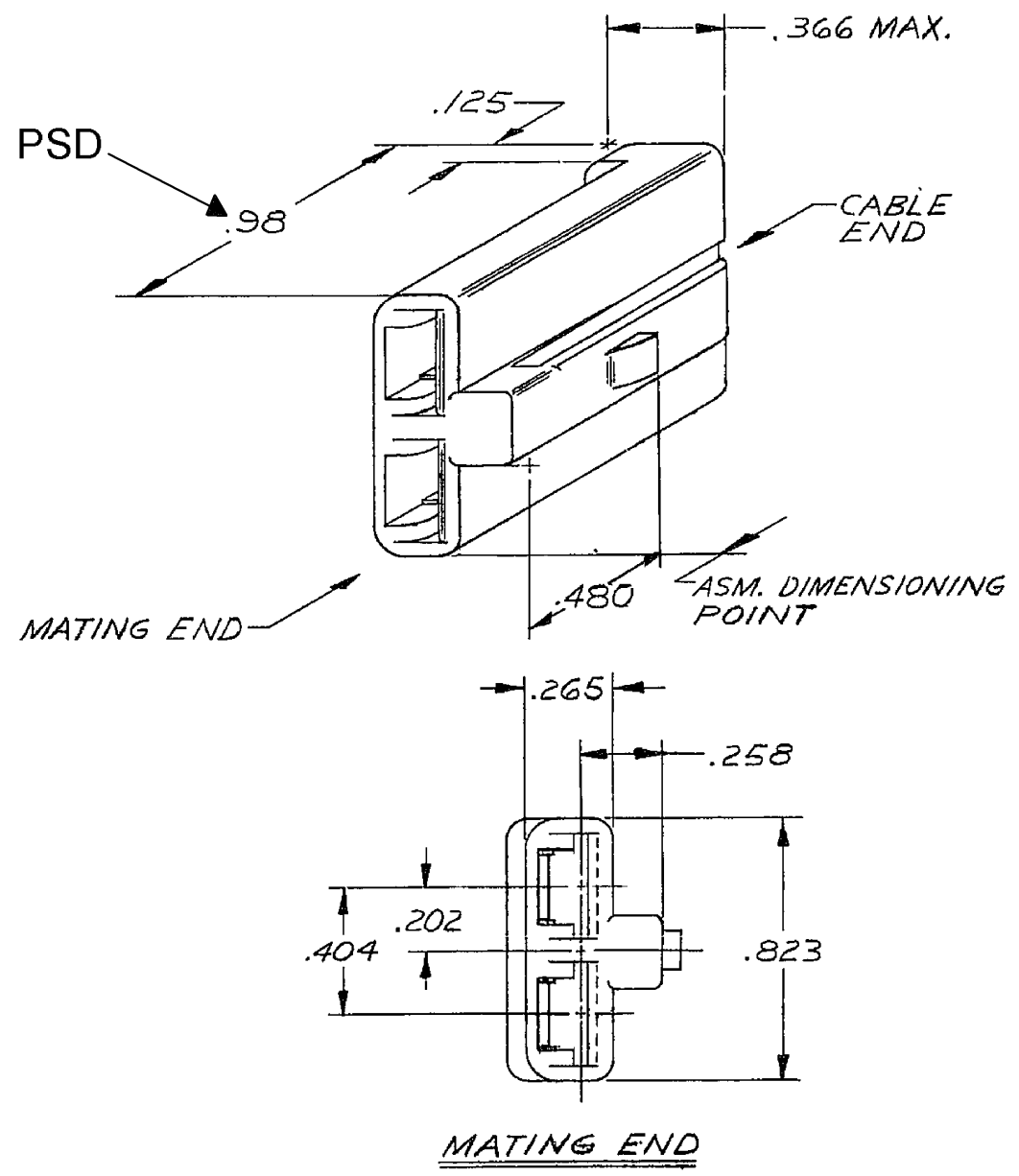


DWG STATUS				REVISION HISTORY				AUTH	DR	APV	APV2
DATE	BY	REV	CHG	DATE	BY	REV	CHG				
11SE02	R	01	-					TAXI DWG CREATED FROM SEPARATE DRAWINGS. ALL PARTS - ADDED DELPHI LOGO & NOTES AND REVISED MATL SPEC.	230384	ARA	ARA
08MR06	R	02	-					06284493 - MATL SPEC WAS M3592002	278375	JDA	FRG



- NOTES
- (.1) X (.01) RAISED DELPHI CORPORATE BRAND TO BE LOCATED ON ANY EXTERIOR SURFACE, PREFERABLY VISIBLE AT FINAL ASSEMBLY. OPTIONAL CONSTRUCTION TO BE "PED" OR NO LOGO
 - MATERIAL RECYCLING CODE >PA66< PER SAE J1344. (.1) X (.01) RAISED CHARACTERS AS SHOWN TO BE LOCATED ON ANY EXTERIOR SURFACE. OPTIONAL CONSTRUCTION TO BE NO MATERIAL RECYCLING CODE.

PART NO	REV	N/P	STATUS	MATERIAL SPECIFICATION AND COLOR
12015684	C2	-		M3592015 PA66 HS IM GRN LT
06294493	04	-		M3592024 PA66 HS IM CRM

DWG TYPE: PART DRAWING

STYLE: _____

VOLUME (CM): _____

ROUTING: 6900

DESTR CODE: D

UNLESS OTHERWISE SPECIFIED:
THIS DRAWING IS A REVISION. UNLESS OTHERWISE SPECIFIED BY THE DWG DIMENSIONS AND TOLERANCES REFER TO THE ALL DIMENSIONS SHOWN ARE TO CENTER UNLESS OTHERWISE SPECIFIED. DIMENSIONS ARE TO CENTER UNLESS OTHERWISE SPECIFIED BY OTHERWISE INDICATED TO THE CONTRARY. DIMENSIONS ARE TO CENTER UNLESS OTHERWISE SPECIFIED BY OTHERWISE INDICATED TO THE CONTRARY.

REFERENCE:

THIRD ANGLE PROJECTION

DELPHI

DELPHI PACKARD ELECTRIC SYSTEMS
WARREN, OH

DRAWING NAME: TAXI CONN BODY -56 SERIES LOCK TYPE-2 FEMALE TERMINALS

DRAWING NUMBER: 12015701

SIZE: A0

SCALE: NONE

FRAME NO: 1

SHEET NO: 1 OF 1

REV: R

DATE: 02