
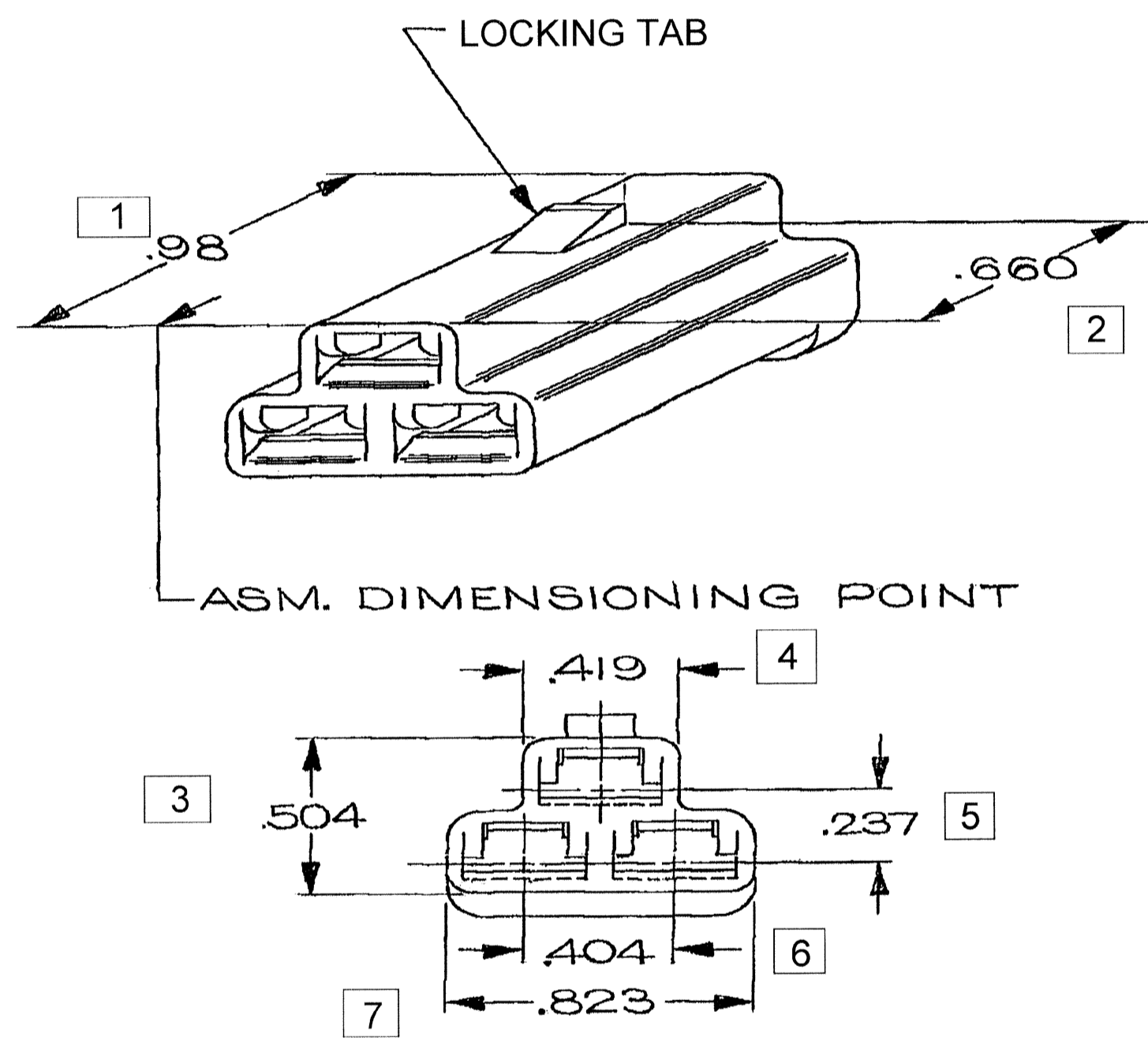



| SYMBOL DEFINITION | | MISSING NUMBERS | |
|---|---------------------------------|-----------------|--|
| A DIMENSION WITHOUT AN INSPECTION REPORT SYMBOL  DOES NOT REQUIRE INSPECTION. IT MAY BE CONTROLLED ON AN INDIVIDUAL COMPONENT DRAWING. | TOTAL NO. OF SYMBOLS ON DRAWING | 7 | |
| | LAST NO. USED | 7 | |

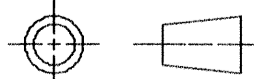
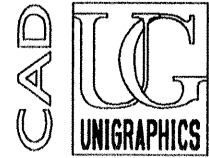
| DWG STATUS | | | | | ZONE | REVISION HISTORY | AUTH | DR | APVD 1 | APVD 2 |
|------------|-----|-----|-----|-----|------|---|--------|-----|--------|--------|
| DATE | STG | REV | N/P | CHG | | | | | | |
| 28JN73 | R | - | - | - | | MATL. SPEC. WAS M-661-009 | 49146 | GF | GF | GF |
| 01MR77 | R | - | - | - | | MATL. SPEC. WAS R-67555 | 61530 | DT | DT | DT |
| 30JL04 | R | A3 | - | - | | MATL SPEC WAS R-67553 AND REVISED NOTES | 256607 | TLD | TLD | ET |
| 05N004 | R | 02 | - | - | | MATERIAL WAS M0661010 | 260977 | MJM | MJM | ET |



NOTES

- UNLESS OTHERWISE SPECIFIED AND/OR INDICATED: DIMENSIONS ARE TO FACE OF VIEW SHOWN AND AUTOMATICALLY ROUNDED BY COMPUTER FOR INSPECTION (SEE MATH MODEL FOR PRECISE DIMENSIONS). FOR ALL OTHER DIMENSIONS NOT SHOWN BUT REQUIRED FOR TOOL BUILD, SEE MATH MODEL FOR PRECISE TOOL PATH DATA.
- MATERIAL RECYCLING CODE PER SAE J1344. (.09)X(.004) RAISED CHARACTERS AS SHOWN TO BE LOCATED ON ANY EXTERIOR SURFACE. OPTIONAL CONSTRUCTION TO BE NO MATERIAL RECYCLING CODE.
- REFERENCE MATING COMPONENTS OR EQUIVALENT: CONNECTOR 08905117
- (.09)X(.004) RAISED DELPHI CORPORATE BRAND TO BE LOCATED ON ANY EXTERIOR SURFACE, PREFERABLY VISIBLE AT FINAL ASSEMBLY. OPTIONAL CONSTRUCTION TO BE "PED" OR NO LOGO.

| |
|---|
|  PROCESS SENSITIVE DIMENSION |
| DIMENSIONS ENCLOSED IN () INDICATE REFERENCE DIMENSIONS AND NO TOLERANCE LIMITS ARE ESTABLISHED |
| TOLERANCE UNLESS OTHERWISE SPECIFIED DECIMAL: TWO PLACE ± .01 THREE PLACE ± .005 |

| | |
|--|--|
| DWG TYPE PART DRAWING | |
| STYLE | |
| VOLUME (CM ³) | DISTR CODE D |
| UNLESS OTHERWISE SPECIFIED THIS DOCUMENT IS IN ACCORDANCE WITH ASME Y14.5M-1994 AS AMENDED BY THE GM GLOBAL DIMENSIONING AND TOLERANCING ADDENDUM-2001. SEPARATE PATTERNS OF FEATURES MAY BE GAGED SEPARATELY REGARDLESS OF DATUM REFERENCES. | |
| ALL DIMENSIONS ARE IN INCHES | |
| THIRD ANGLE PROJECTION  | DO NOT SCALE USE MATH DATA  |

DELPHI

DELPHI PACKARD ELECTRIC SYSTEMS
WARREN, OH

| DATE | |
|-------|---------------------|
| DR | |
| APVD1 | C. PATTERSON 22SE69 |
| APVD2 | HUBBARD 24SE69 |
| APVD3 | H. PEARCE 25SE69 |
| APVD4 | |
| APVD5 | |

SUBSTANCES OF CONCERN AND RECYCLED CONTENT PER DELPHI 10949001

MATERIAL
M2097010 PP 1M BRN

DRAWING NAME
CONN 3 F 56 BRN

DRAWING NUMBER
08905116

| SIZE | SCALE | FRAME NO | SHEET NO | STG | REV | N/P |
|------|-------|----------|----------|-----|-----|-----|
| A2 | NONE | 1 OF 1 | 1 OF 1 | R | 02 | - |

PLOT: 08905116-CUS01-501 Date: 05-Nov-04 Time: 15:00
 PPS: