
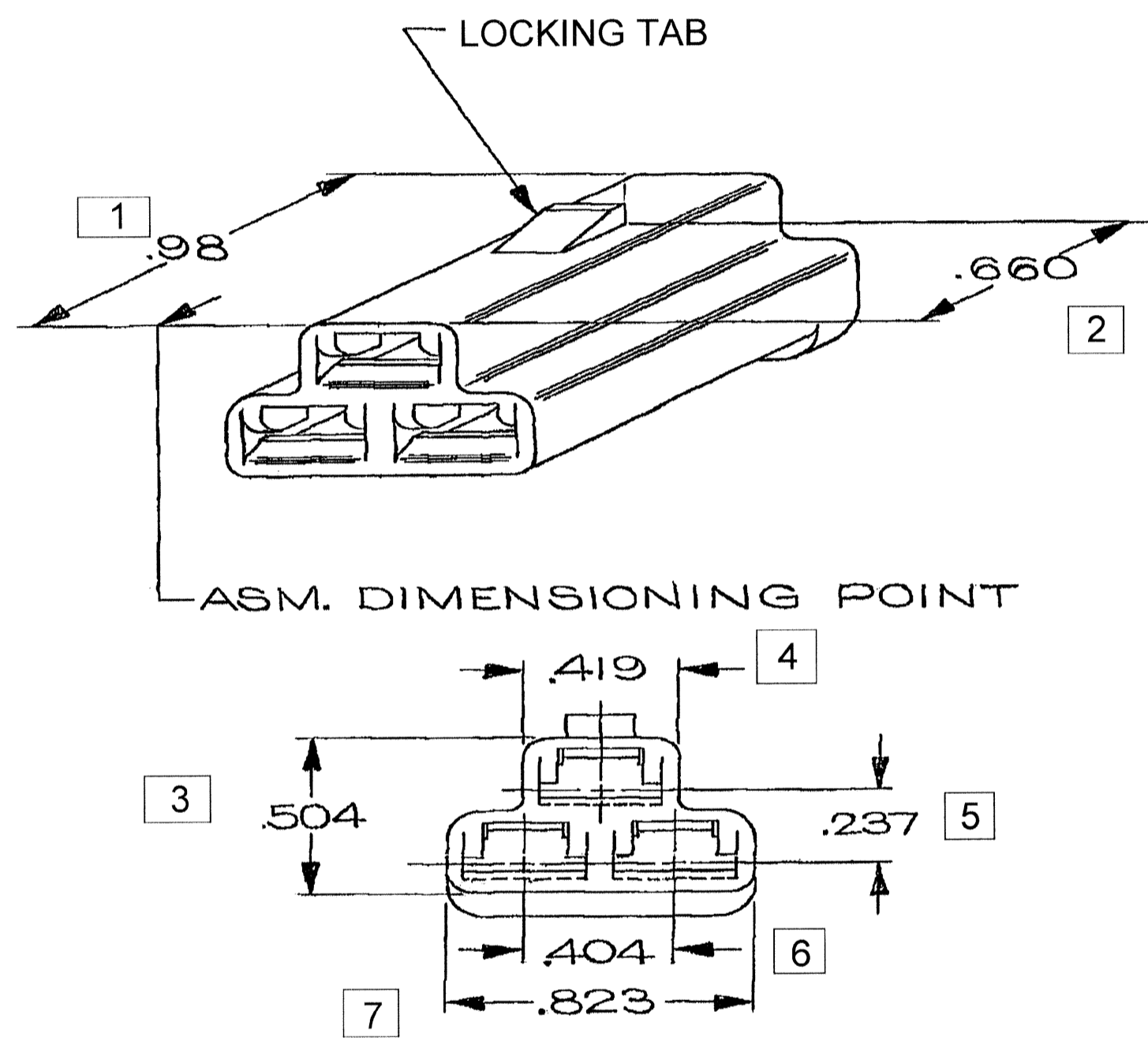



SYMBOL DEFINITION		MISSING NUMBERS	
A DIMENSION WITHOUT AN INSPECTION REPORT SYMBOL  DOES NOT REQUIRE INSPECTION. IT MAY BE CONTROLLED ON AN INDIVIDUAL COMPONENT DRAWING.	TOTAL NO. OF SYMBOLS ON DRAWING	7	
	LAST NO. USED	7	

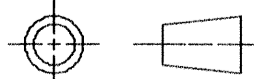
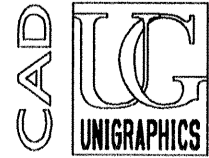
DWG STATUS					ZONE	REVISION HISTORY	AUTH	DR	APVD 1	APVD 2
DATE	STG	REV	N/P	CHG						
28JN73	R	-	-	-		MATL. SPEC. WAS M-661-009	49146	GF	GF	GF
01MR77	R	-	-	-		MATL. SPEC. WAS R-67555	61530	DT	DT	DT
30JL04	R	A3	-	-		MATL SPEC WAS R-67553 AND REVISED NOTES	256607	TLD	TLD	ET
05N004	R	02	-	-		MATERIAL WAS M0661010	260977	MJM	MJM	ET



NOTES

- UNLESS OTHERWISE SPECIFIED AND/OR INDICATED: DIMENSIONS ARE TO FACE OF VIEW SHOWN AND AUTOMATICALLY ROUNDED BY COMPUTER FOR INSPECTION (SEE MATH MODEL FOR PRECISE DIMENSIONS). FOR ALL OTHER DIMENSIONS NOT SHOWN BUT REQUIRED FOR TOOL BUILD, SEE MATH MODEL FOR PRECISE TOOL PATH DATA.
- MATERIAL RECYCLING CODE PER SAE J1344. (.09)X(.004) RAISED CHARACTERS AS SHOWN TO BE LOCATED ON ANY EXTERIOR SURFACE. OPTIONAL CONSTRUCTION TO BE NO MATERIAL RECYCLING CODE.
- REFERENCE MATING COMPONENTS OR EQUIVALENT: CONNECTOR 08905117
- (.09)X(.004) RAISED DELPHI CORPORATE BRAND TO BE LOCATED ON ANY EXTERIOR SURFACE, PREFERABLY VISIBLE AT FINAL ASSEMBLY. OPTIONAL CONSTRUCTION TO BE "PED" OR NO LOGO.

 PROCESS SENSITIVE DIMENSION
DIMENSIONS ENCLOSED IN ( ) INDICATE REFERENCE DIMENSIONS AND NO TOLERANCE LIMITS ARE ESTABLISHED
TOLERANCE UNLESS OTHERWISE SPECIFIED DECIMAL: TWO PLACE ±.01 THREE PLACE ±.005

DWG TYPE PART DRAWING	
STYLE	
VOLUME (CM <sup>3</sup> )	DISTR CODE D
UNLESS OTHERWISE SPECIFIED THIS DOCUMENT IS IN ACCORDANCE WITH ASME Y14.5M-1994 AS AMENDED BY THE GM GLOBAL DIMENSIONING AND TOLERANCING ADDENDUM-2001. SEPARATE PATTERNS OF FEATURES MAY BE GAGED SEPARATELY REGARDLESS OF DATUM REFERENCES.	
ALL DIMENSIONS ARE IN INCHES	
THIRD ANGLE PROJECTION 	DO NOT SCALE USE MATH DATA 

**DELPHI**

DELPHI PACKARD ELECTRIC SYSTEMS  
WARREN, OH

DATE	
DR	
APVD1	C. PATTERSON 22SE69
APVD2	HUBBARD 24SE69
APVD3	H. PEARCE 25SE69
APVD4	
APVD5	

SUBSTANCES OF CONCERN AND RECYCLED CONTENT PER DELPHI 10949001

MATERIAL  
M2097010 PP 1M BRN

DRAWING NAME  
CONN 3 F 56 BRN

DRAWING NUMBER  
08905116

SIZE	SCALE	FRAME NO	SHEET NO	STG	REV	N/P
A2	NONE	1 OF 1	1 OF 1	R	02	-

PLOT: 08905116-CUS01-501 Date: 05-Nov-04 Time: 15:00  
 User: j...