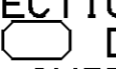
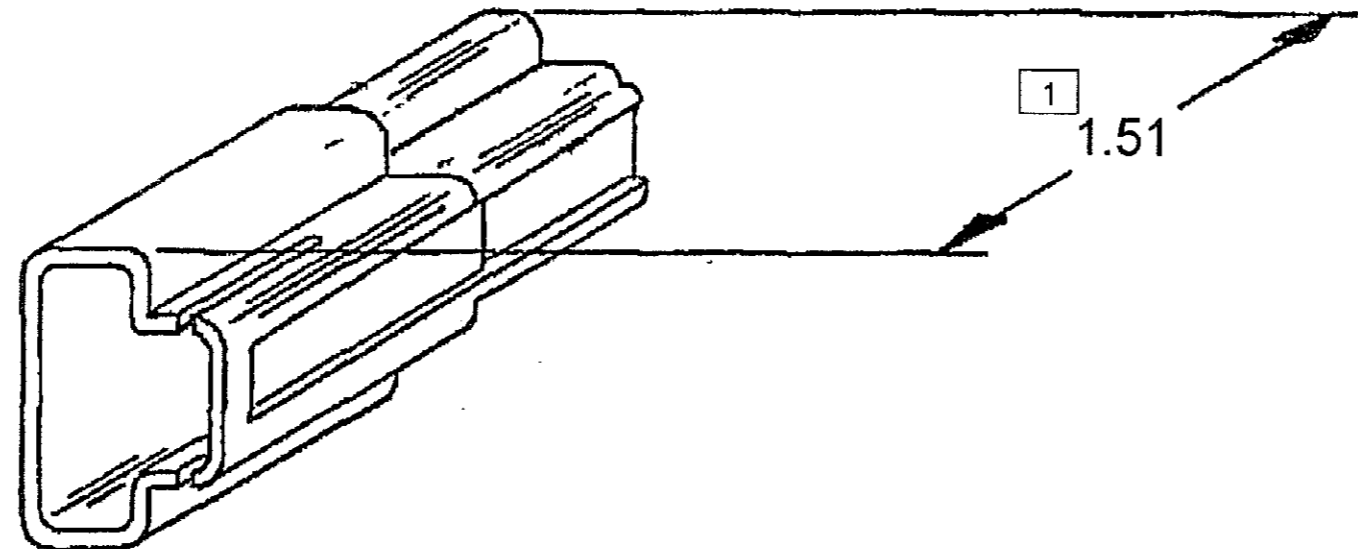
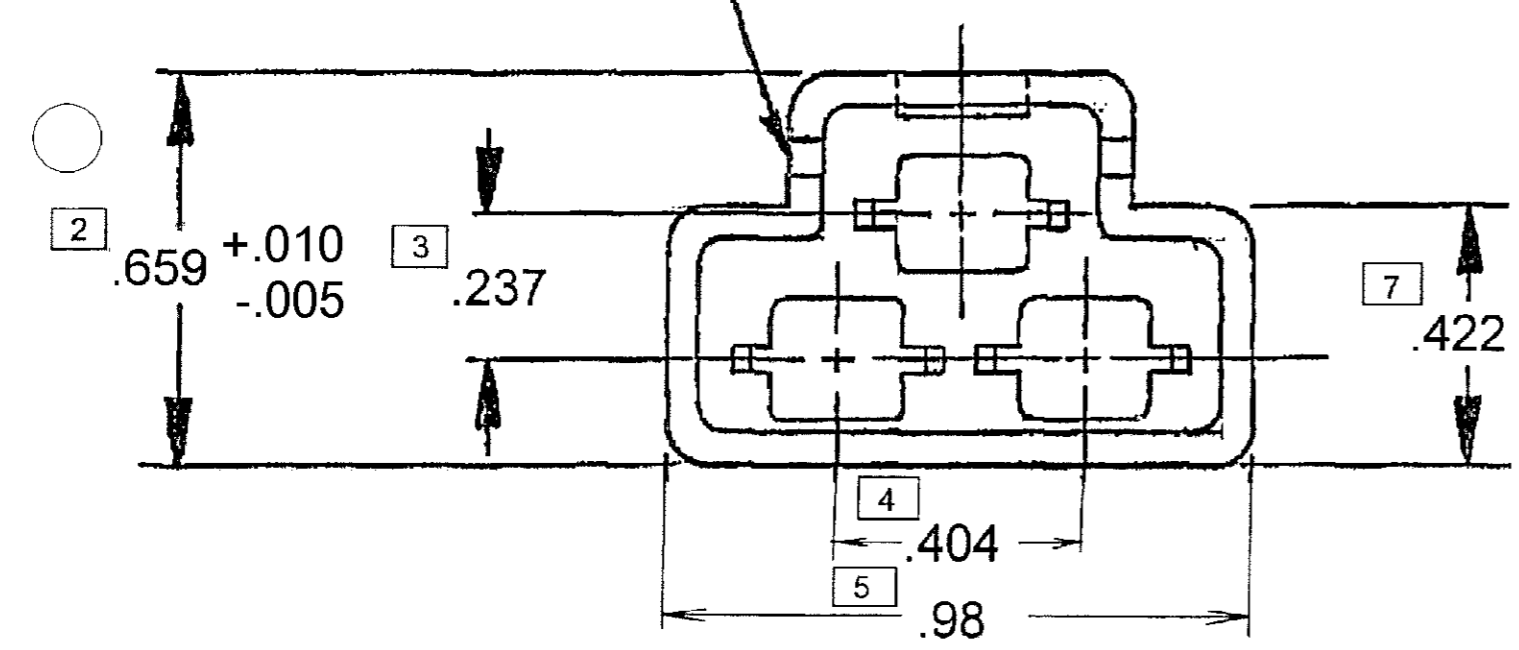


SYMBOL DEFINITION		MISSING NUMBERS	
A DIMENSION WITHOUT AN INSPECTION REPORT SYMBOL  DOES NOT REQUIRE INSPECTION. IT MAY BE CONTROLLED ON AN INDIVIDUAL COMPONENT DRAWING.	TOTAL NO. OF SYMBOLS ON DRAWING	8	
	LAST NO. USED	7	


DWG STATUS					ZONE	REVISION HISTORY	AUTH	DR	APVD 1	APVD 2
DATE	STG	REV	N/P	CHG						
21SE04	R	A3	-	-		REVISED FORMAT AND NOTES AND ADDED PROCESS SENSITIVE DIMENSION	258742	TLD	TLD	ET
28SE04	R	02	-	-		MAT'L SPEC WAS M0661010	259313	TLD	TLD	ET
15JN06	R	02	AA	-		.659 +.010/-.005 WAS .659 ±.005	281785	GPS	JVM	EST

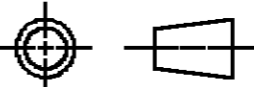
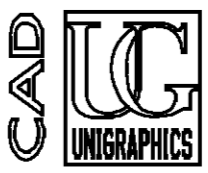


**2X 6**  
 2X .010 MAX TYP THICK BRIDGING FLASH PERMISSIBLE IN THIS AREA



- NOTES**
- UNLESS OTHERWISE SPECIFIED AND/OR INDICATED: DIMENSIONS ARE TO FACE OF VIEW SHOWN AND AUTOMATICALLY ROUNDED BY COMPUTER FOR INSPECTION (SEE MATH MODEL FOR PRECISE DIMENSIONS). FOR ALL OTHER DIMENSIONS NOT SHOWN BUT REQUIRED FOR TOOL BUILD, SEE MATH MODEL FOR PRECISE TOOL PATH DATA.
  - MATERIAL RECYCLING CODE PER SAE J1344. (.090)X(.004) RAISED CHARACTERS AS SHOWN TO BE LOCATED ON ANY EXTERIOR SURFACE. OPTIONAL CONSTRUCTION TO BE NO MATERIAL RECYCLING CODE.
  - REFERENCE MATING COMPONENTS OR EQUIVALENT: CONNECTOR 08905116
  - (.090)X(.004) RAISED DELPHI CORPORATE BRAND TO BE LOCATED ON ANY EXTERIOR SURFACE, PREFERABLY VISIBLE AT FINAL ASSEMBLY. OPTIONAL CONSTRUCTION TO BE "PED" OR NO LOGO.

 PROCESS SENSITIVE DIMENSION
DIMENSIONS ENCLOSED IN ( ) INDICATE REFERENCE DIMENSIONS AND NO TOLERANCE LIMITS ARE ESTABLISHED
TOLERANCE UNLESS OTHERWISE SPECIFIED DECIMAL: TWO PLACE ±.01 THREE PLACE ±.005

DWG TYPE <b>PART DRAWING</b>	
STYLE	
VOLUME (CM <sup>3</sup> )	DISTR CODE <b>D</b>
UNLESS OTHERWISE SPECIFIED THIS DOCUMENT IS IN ACCORDANCE WITH ASME Y14.5M-1994 AS AMENDED BY THE 0M GLOBAL DIMENSIONING AND TOLERANCING ADDENDUM - 1997. ALL GEOMETRIC TOLERANCES AND RELATED DATUMS APPLY RFS. RULE #1 (PERFECT FORM AT MMC) DOES NOT APPLY WHEN RELATIONSHIP BETWEEN FEATURES IS ESTABLISHED BY ORIENTATION OR LOCATION TOLERANCES. SEPARATE POSITION CALLOUTS MAY BE GAGED SEPARATELY, REGARDLESS OF DATUM REFERENCE. ALL DIMENSIONS ARE IN INCHES.	
REFERENCE	
THIRD ANGLE PROJECTION	DO NOT SCALE USE MATH DATA
	

<b>DELPHI</b>	
DELPHI PACKARD ELECTRIC SYSTEMS WARREN, OH	
DR	DATE
APVD1 E.J.TOLNAR	26SE69
APVD2 HUBBARD	27SE69
APVD3 H.PEASCE	27SE69
APVD4	
APVD5	
SUBSTANCES OF CONCERN AND RECYCLED CONTENT PER DELPHI 10949001	
MATERIAL M2097010 PP IM BRN	
DRAWING NAME <b>CONN 3 M 56 SERIES BRN</b>	
DRAWING NUMBER <b>08905117</b>	
SIZE A2	SCALE NONE
FRAME NO 1 OF 1	SHEET NO 1 OF 1
STG R	REV 02
N/P AA	