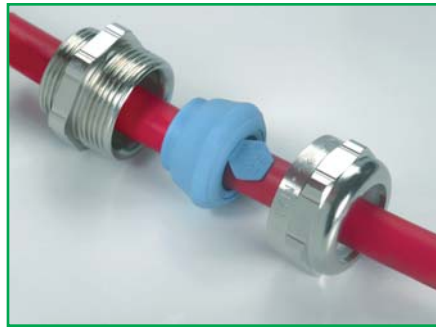


**Polyamide (PA)
Light Gray or Black**



**With Thermoplastic Elastomer (TPE)
Spherical Sealing Insert**

Nickel Plated Brass (NPB)



**With Thermoplastic Elastomer (TPE)
Spherical Sealing Insert**

**Stainless Steel (SS)
1.4305 (303)**



**With Thermoplastic Elastomer (TPE)
Spherical Sealing Insert**

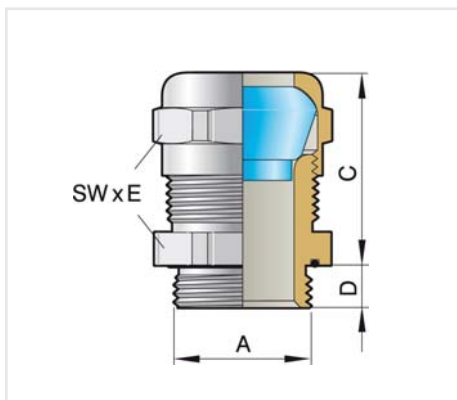
High Performance Cord Grips

Polyamide (PA)*			Nickel Plated Brass (NPB)**		Stainless Steel (SS)**	
Thermoplastic Elastomer (TPE)			Thermoplastic Elastomer (TPE)		Thermoplastic Elastomer (TPE)	
-			Neoprene (NBR)		Silicone (SIL)	
-20 to 100°C (-4 to 212°F)			-40 to 300°C (-40 to 572°F)		-60 to 500°C (-65 to 932°F)	
-40 to 130°C (-40 to 266°F)			-40 to 130°C (-40 to 266°F)		-40 to 130°C (-40 to 266°F)	
-			-20 to 100°C (-4 to 212°F)		-60 to 200°C (-65 to 392°F)	
Blue			Blue		Blue	

Cat. No.			Std. Pk.		Cat. No.			Std. Pk.	
L. Gray	Black								
96570.0	96570.1	50	96570.6	50	96570.7	50	96570.7	50	
96571.0	96571.1	50	96571.6	50	96571.7	50	96571.7	50	
96572.0	96572.1	50	96572.6	50	96572.7	50	96572.7	50	
96573.0	96573.1	50	96573.6	50	96573.7	50	96573.7	50	
96574.0	96574.1	25	96574.6	25	96574.7	25	96574.7	25	
96575.0	96575.1	5	96575.6	10	96575.7	10	96575.7	10	
96576.0	96576.1	10	96576.6	5	96576.7	5	96576.7	5	
96577.0	96577.1	5	96577.6	5	96577.7	5	96577.7	5	
-	-		96578.6	5	96578.7	5	96578.7	5	
-	-		96579.6	1	96579.7	1	96579.7	1	

*Polyamide *blueglobe*® VDE Approval only with installed O-Ring; Order Separately

**For Nickel Plated Brass & Stainless Steel Cord Grips with 15mm (.59in.) long External Thread add /15 to the Catalog Number. Example: 96570.6/15



Cord Grip Dimensions: mm (in.) Nickel Plated Brass and Stainless Steel

Size	A	D	C	SW	E
M12x1.5	12.0 (.47)	5.0 (.20)	21.0 (.83)	17.0 (.67)	18.9 (.74)
M16x1.5	16.0 (.63)	6.0 (.24)	25.0 (.98)	20.0 (.79)	22.2 (.87)
M20x1.5	20.0 (.79)	6.5 (.26)	29.0 (1.14)	24.0 (.94)	26.5 (1.04)
M25x1.5	25.0 (.98)	7.5 (.30)	29.0 (1.14)	30.0 (1.18)	33.0 (1.30)
M32x1.5	32.0 (1.26)	8.0 (.31)	32.0 (1.26)	36.0 (1.42)	39.5 (1.56)
M40x1.5	40.0 (1.57)	8.0 (.31)	35.0 (1.38)	45.0 (1.77)	48.0 (1.89)
M50x1.5	50.0 (1.97)	10.0 (.39)	35.0 (1.38)	57.0 (2.24)	61.0 (2.40)
M63x1.5	63.0 (2.48)	10.0 (.39)	38.0 (1.50)	68.0 (2.68)	72.0 (2.83)
M75x1.5	75.0 (2.95)	15.0 (.59)	48.0 (1.89)	81.0 (3.19)	87.0 (3.43)
M85x2	85.0 (3.35)	15.0 (.59)	49.0 (1.93)	95.0 (3.74)	102.0 (4.02)