

J1939 Bus Splitter

This CAN bus splitter provides a cost effective and space efficient way of connecting multiple devices to the J1939 CAN bus. This module reduces cost by eliminating Y adapters and extra harnesses typically used to provide additional connections to the bus.

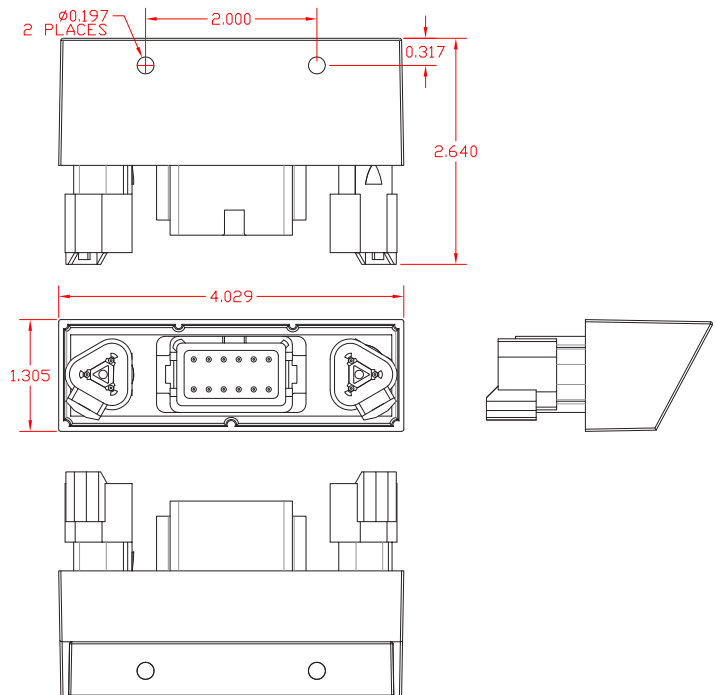
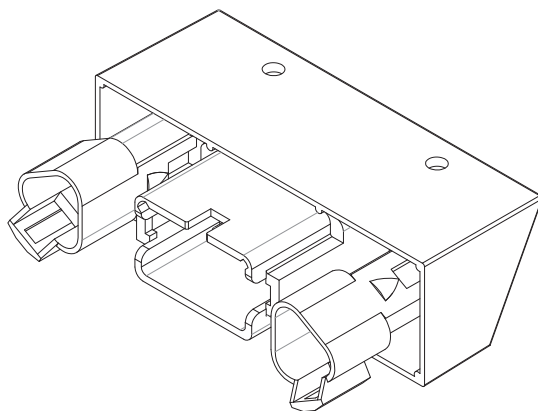


99-0070

Product Features

- Reduces bus harnessing
- Reduces actual and production costs
- Reduces bus connections increasing quality & durability
- Eases troubleshooting of harnesses
- Potted for a true IP67 rating
- Operating & storage temp rating -45°C to +85°C
- 2 x DT04-3P Deutsch Connectors
 - 6 x Nickel Plated Pins
 - 2 x W3P-J1939 Blue Wedge Locks
- 1 x DTF15-12P 12 pin Deutsch Connector
- Rugged ABS Housing

99-0070	DT04-3P	DT04-3P	DTF15-12P
	J1	J2	J3
CAN HI	A	A	2,5,8,11
CAN LO	B	B	1,6,7,12
GND	C	C	3,4,9,10



TROMBETTA 
DC Power Solutions for a Harsh World