

PLEASE CHECK WWW.MOLEX.COM FOR LATEST PART INFORMATION

Part Number: **0190170005**
Status: **Active**
Overview: Standard Quick-Disconnect Terminals
Description: InsulKrimp Quick Disconnect, Female, for 18-22 (0.80-0.35mm²) Wire, Box, Tab 2.79 x 0.81mm

Documents:

[Drawing \(PDF\)](#) [Product Specification PS-19902-013-001 \(PDF\)](#)
[Product Specification PS-19902-008-001 \(PDF\)](#) [RoHS Certificate of Compliance \(PDF\)](#)
[Product Specification PS-19902-011-001 \(PDF\)](#)

Agency Certification

CSA LR18689
 UL E79133

General

Product Family Quick Disconnects
 Series [19017](#)
 Crimp Quality Equipment Yes
 Insulated Partial
 Overview [Standard Quick-Disconnect Terminals](#)
 Product Name InsulKrimp
 Type Quick Disconnect
 UPC 800753035690

Physical

Barrel Type Closed
 Color - Resin Red
 Flammability 94V-0
 Gender Female
 Glow-Wire Capable No
 Insulation PVC
 Lock to Mating Part None
 Material - Metal Brass
 Material - Plating Mating Tin
 Material - Plating Termination Tin
 Material - Resin PVC
 Net Weight 0.396/g
 Orientation Straight
 Packaging Type Bag
 Plating min - Mating 4.064µm
 Plating min - Termination 4.064µm
 Polarized to Mating Part No
 Tab Thickness 0.81mm
 Tab Width 2.79mm
 Temperature Range - Operating -50°C to +105°C
 Termination Interface: Style Crimp or Compression
 Wire Insulation Diameter 3.40mm max.
 Wire Size AWG 18, 20, 22

Electrical

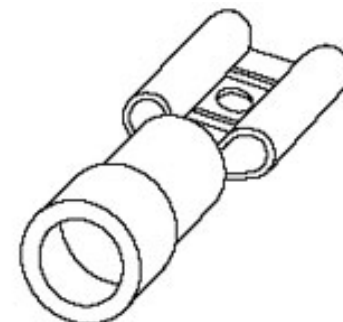
Voltage - Maximum 600V

Solder Process Data

Lead-freeProcess Capability N/A

Material Info

Engineering Number AA-2134



Series image - Reference only

EU ELV

Not Relevant

EU RoHS

Compliant

REACH SVHC

Not Contained Per
 -ED/01/2018 (15
 January 2018)

Halogen-Free

Status

Not Low-Halogen

Need more information on product environmental compliance?

Email productcompliance@molex.com
 Please visit the [Contact Us](#) section for any non-product compliance questions.

China ROHS Green Image
 ELV Not Relevant
 RoHS Phthalates Not Contained

Search Parts in this Series

[19017 Series](#)

Reference - Drawing Numbers

Product Specification

Sales Drawing

PS-19902-008-001, PS-19902-011-001,

PS-19902-013-001

CD2903, SD-19017-003

This document was generated on 05/15/2018

PLEASE CHECK WWW.MOLEX.COM FOR LATEST PART INFORMATION