

# Type ACB-12-N / ACB-24-N Auto Reset Circuit Breaker Automotive Type I Metal Without Bracket



www.optifuse.com (619) 593-5050

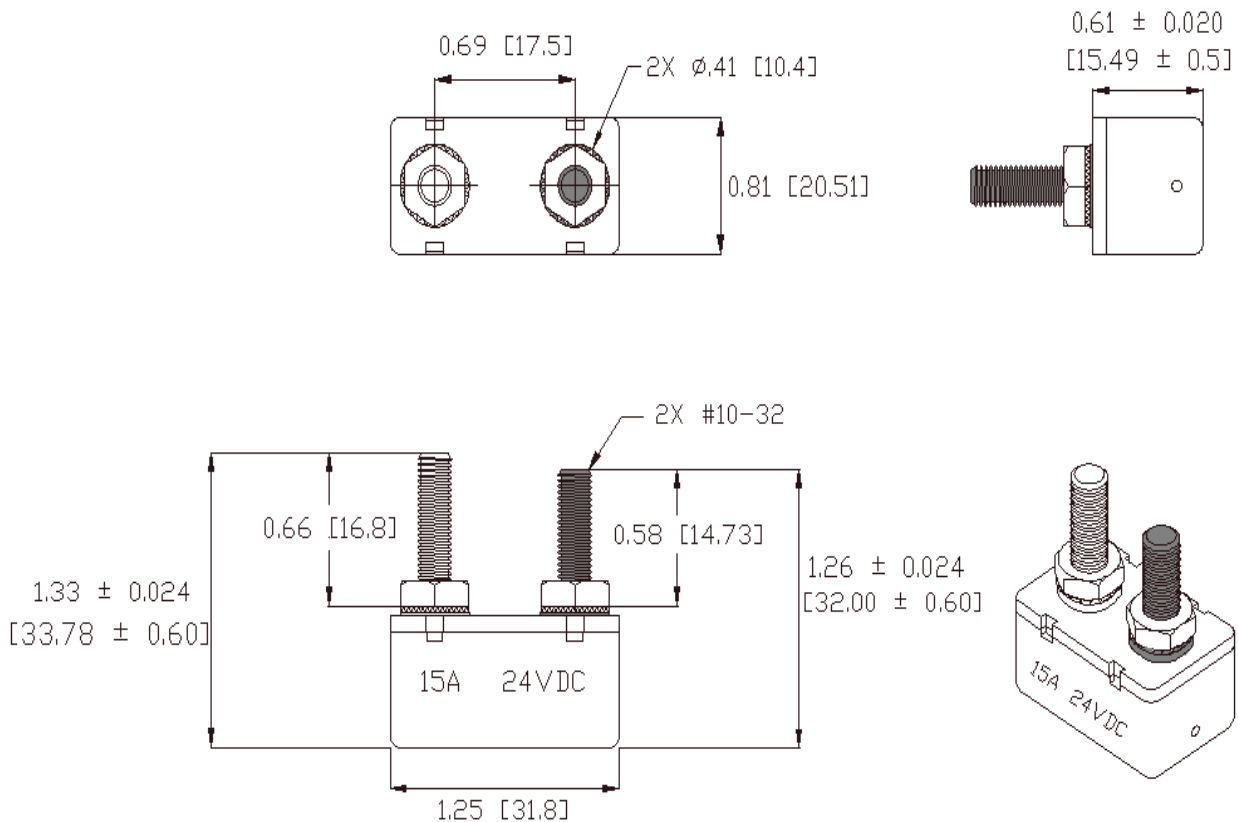
## Specifications:

- Auto Reset Type Circuit Breaker
- Voltage: 12V or 24V
- Amperage: 10A, 15A, 20A, 25A, 30A, 35A, 40A, 50A
- Terminals: Battery – Copper Plate (0.58”), Auxiliary – Zinc Plate (0.66”)
- Conforms to American National Standard SAE J553
- Body: Steel Case
- Operating Temperature: -10° F ~ 150° F
- Storage Temperature: -20° F ~ 200° F

## Current Rating:

Rating	Open Time
100% ± 1.5%	> 30 Min
135% ± 1.5%	< 30 Min
200% ± 1.5%	< 1 Min

## Mechanical Dimensions: Inches [mm]



	<p><b>Warning:</b> -Operation beyond the specified maximum ratings or improper use may result in damage and possible electrical arcing and/or flame.</p>
	<p>-Device are intended for occasional overcurrent protection. Application for repeated overcurrent condition and/or prolonged trip are not anticipated.</p> <p>-Avoid contact of device with chemical solvent. Prolonged contact will damage the device performance.</p>