



# AR SERIES CIRCUIT PROTECTION

Single Pole; Auto-reset, Modified-reset, Manual-reset



**•Technical data**

- Current rating range 3~50A
- Input voltage rating 12/24 VDC; 14/28VDC
- Compliances SAE J553
- Contact Endurance 125Vac X150% of rated current >500 cycles  
125Vac X200% of rated current >200 cycles
- Insulation Resistance >100MOHM (DC 500V)
- Dielectric Strength > 1,500VAC/min.
- Breaking Capacity 4 times rated current
- Automotive Type Auto- Reset; 12/24VDC Automotive Type I
- Automotive Type Modified- Reset; 12VDC Automotive Type II
- Automotive Type Manual- Reset; 12VDC Automotive Type III
- Materials UL 94V-0 Thermoplastic body, thermoset for Type III buttons.



**•Mechanical/Environmental Data**

- Operating Ambient Temperature: -10°C to +60°C
- Storage Temperature Rating: -40°C to +100°C.
- Terminal Type: #10-32 thread and 0.25" quick-connect options available

**•Typical applications**

Trolling motors, Battery chargers, trucks, buses, RV's.

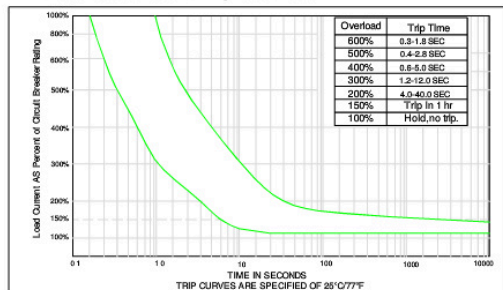
**•Approval**

•Approval & File No.	Rated current	Rated voltage
•CUL ULE317794 ( For Plastic Cover)	3-50A	125/250VAC; 50VDC

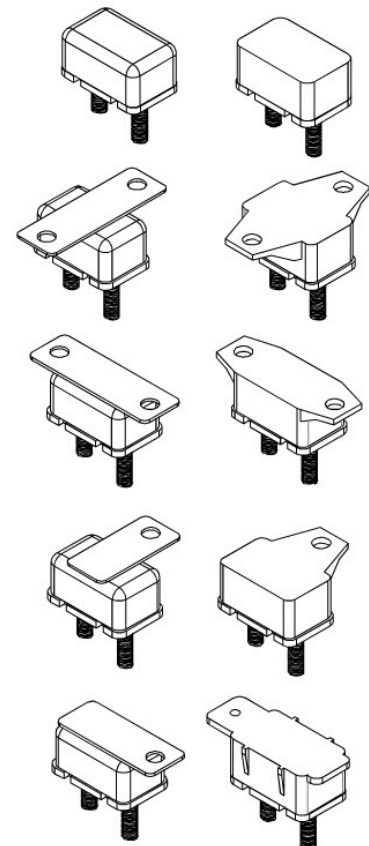
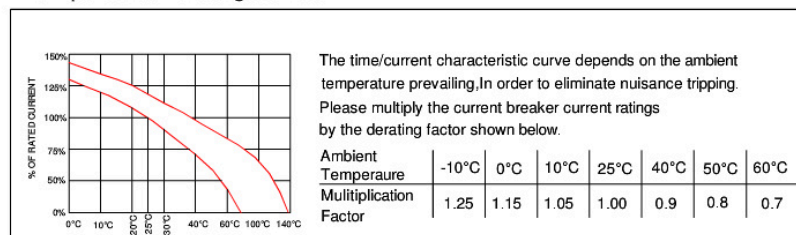
**•Calibration(at25°C)**

- 100% of Rated Current: Hold , No Trip
- 150% of Rated Current: Trip Within 1 Hour.
- 200% of Rated Current: 4.0-40.0 SEC Trip
- 300% of Rated Current: 1.2-12.0 SEC Trip

**•AR Series 3~50A Trip Curves**



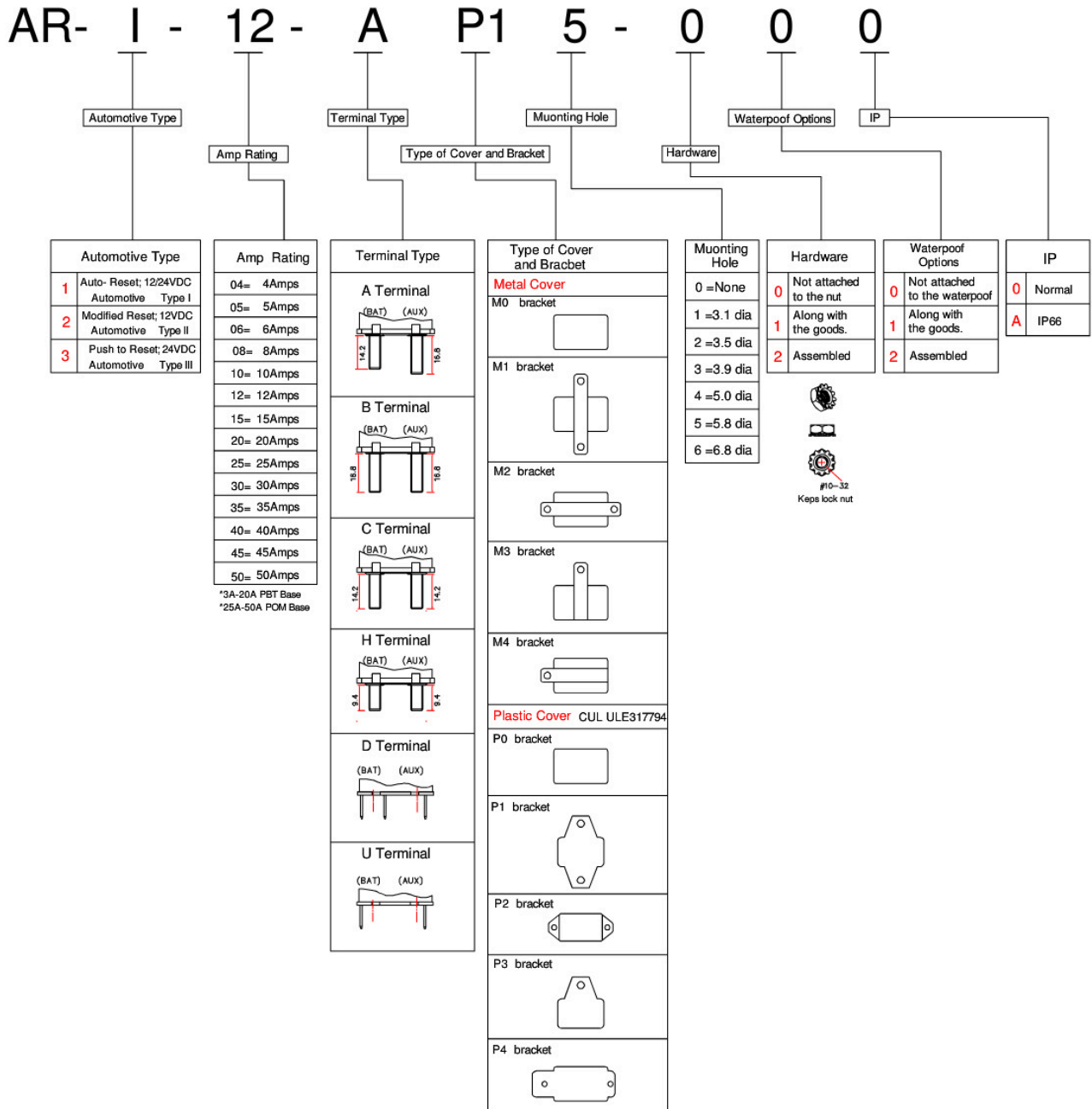
**• Temperature Derating Curves**



\* The specification subject to change without notice. The drawing is for reference only.



## AR Series Circuit Breaker Order Guide



\*The specification subject to change without notice. The drawing is for reference only.