

**PLEASE CHECK WWW.MOLEX.COM FOR LATEST PART INFORMATION**

**Part Number:** **0190190030**  
**Status:** **Active**  
**Overview:** Standard Quick-Disconnect Terminals  
**Description:** Avikrimp Quick Disconnect, Female, for 14-16 (2.00-1.30mm<sup>2</sup>) Wire, Mylar Tape, Tab 4.75 x 0.51mm

**Documents:**

|  |  |
|--|--|
| <a href="#">3D Model</a>                                     | <a href="#">Product Specification PS-19902-014-001 (PDF)</a> |
| <a href="#">Drawing (PDF)</a>                                | <a href="#">Product Specification PS-19902-015-001 (PDF)</a> |
| <a href="#">Product Specification PS-19902-011-001 (PDF)</a> | <a href="#">RoHS Certificate of Compliance (PDF)</a>         |

**Agency Certification**

|     |         |
|-----|---------|
| CSA | LR18689 |
| UL  | E79133  |

**General**

|                         |  |
|-------------------------|--|
| Product Family          | Quick Disconnects                          |
| Series                  | <u>19019</u>                               |
| Crimp Quality Equipment | Yes  |
| Insulated               | Partial                                    |
| Overview                | <u>Standard Quick-Disconnect Terminals</u> |
| Product Name            | Avikrimp                                   |
| Type                    | Quick Disconnect                           |
| UPC                     | 800753038202                               |

**Physical**

|                                |                       |
|--------------------------------|-----------------------|
| Barrel Type                    | Closed                |
| Color - Resin                  | Blue                  |
| Flammability                   | 94V-2                 |
| Gender                         | Female                |
| Glow-Wire Capable              | No                    |
| Insulation                     | Nylon (PA)            |
| Lock to Mating Part            | None                  |
| Material - Metal               | Brass                 |
| Material - Plating Mating      | Tin                   |
| Material - Plating Termination | Tin                   |
| Net Weight                     | 0.799/g               |
| Orientation                    | Straight              |
| Packaging Type                 | Adhesive Tape on Reel |
| Polarized to Mating Part       | No                    |
| Tab Thickness                  | 0.51mm                |
| Tab Width                      | 4.75mm                |
| Temperature Range - Operating  | -65°C to +105°C       |
| Wire Insulation Diameter       | 3.50mm max.           |
| Wire Size AWG                  | 14, 16                |
| Wire Size mm <sup>2</sup>      | 1.30-2.00             |

**Electrical**

|                   |      |
|-------------------|------|
| Voltage - Maximum | 300V |
|-------------------|------|

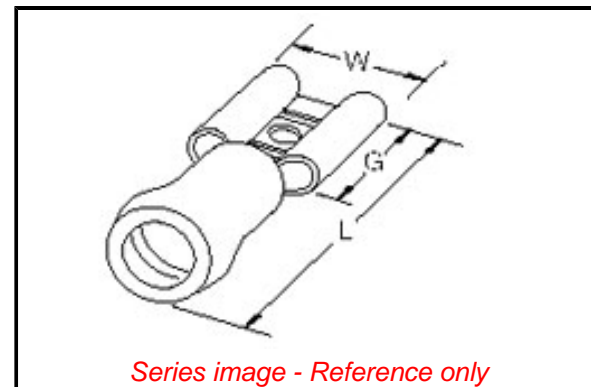
**Solder Process Data**

|                              |     |
|------------------------------|-----|
| Lead-free Process Capability | N/A |
|------------------------------|-----|

**Material Info**

|                    |          |
|--------------------|----------|
| Engineering Number | BB-8138T |
|--------------------|----------|

**Reference - Drawing Numbers**



**EU ELV**

**Not Relevant**

**EU RoHS**

**Compliant**

**REACH SVHC**

Not Contained Per  
-ED/01/2018 (15  
January 2018)

**Halogen-Free**

**Status**

**Low-Halogen**

**Need more information on product environmental compliance?**

Email [productcompliance@molex.com](mailto:productcompliance@molex.com)  
Please visit the [Contact Us](#) section for any non-product compliance questions.

China ROHS

ELV

RoHS Phthalates

Green Image

Not Relevant

Not Contained

**Search Parts in this Series**

19019 Series

Product Specification

Sales Drawing

PS-19902-011-001, PS-19902-014-001,  
PS-19902-015-001  
SD-19019-001

This document was generated on 06/26/2018

**PLEASE CHECK [WWW.MOLEX.COM](http://WWW.MOLEX.COM) FOR LATEST PART INFORMATION**