

# Type CBW57

## Thermal Circuit Breaker

### Push to Reset – Low Profile



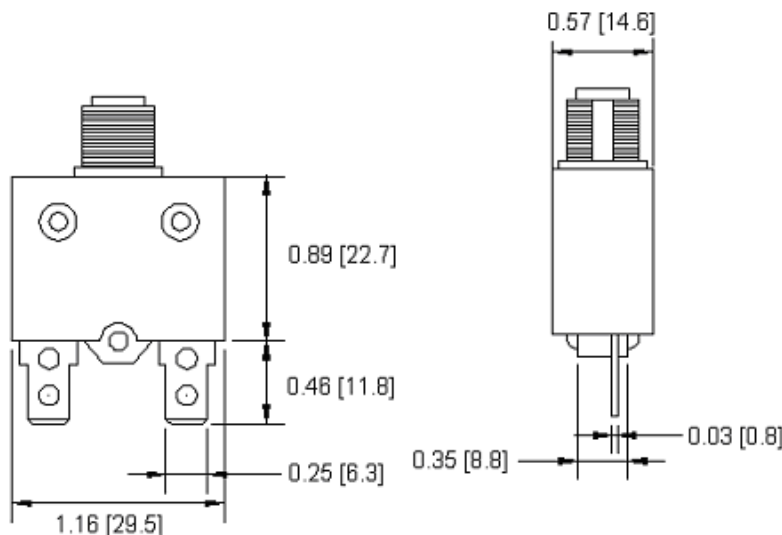
www.optifuse.com (619) 593-5050

#### Specifications:

Push to Reset - Low Profile  
 Amperage Range: 3A - 30A  
 Voltage: 125 / 250 VAC, 32 VDC  
 Frequency: 50-60 Hz  
 Dielectric Strength: 1500 VAC / 1 Minute  
 Interrupt Rating: 3-30A 1000A @ 125/250 VAC  
                           3-20A 400A @ 125/250 VAC  
                           3-30A 300A @ 50 VDC  
                           3-20A 400A @ 125 VAC, CSA  
 Marine **Ignition Protected** to SAE J1171 and UL1500  
 Insulation Resistance: > 500M Ω  
 Contact Endurance: 125 VAC @ 150% of Rated Current - 500 Cycles.  
 Reset Time: within 60 seconds  
 Body - Black  
 Terminal Finish - Tin Plated  
 Torque Rating - plastic nut on plastic thread: 6KGfcm  
                           metal nut on metal thread: 10KGfcm  
                           metal nut on plastic thread: 6KGfcm

Time-Current Characteristics @ 25°C					
100%	150%	200%		300%	
Max	Max	Min	Max	Min	Max
No trip	1hr	5s	25s	1.6s	4.8s

#### Mechanical Dimensions: Inches [mm]



#### Agency Standards and Listings:



RoHS  
Compliant

UR: 3A-30A, 125/250 VAC, 50 VDC

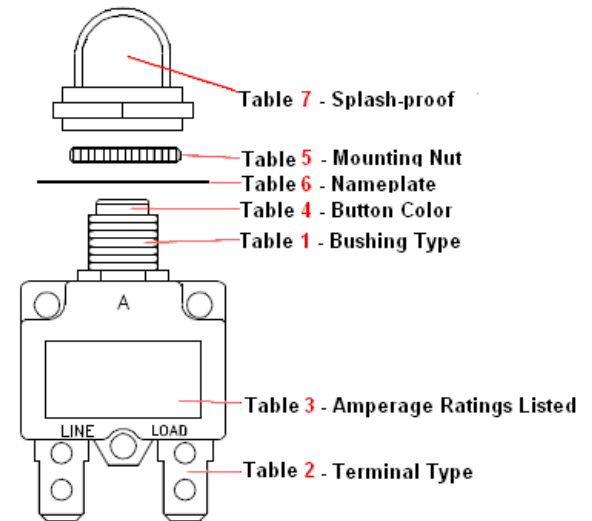
CSA: 3A-20A, 125 VAC

CCC: 3-20A, 125/250 VAC

TUV: 3-20A, 125/250 VAC, 32 VDC

VDE: 3A-16A, 125/250 VAC

#### Part / Accessories Descriptions:



#### Warning:



-Operation beyond the specified maximum ratings or improper use may result in damage and possible electrical arcing and/or flame.  
 -Devices are intended for occasional overcurrent protection. Applications for repeated overcurrent condition and/or prolonged trip are not anticipated.  
 -Avoid contact of device with chemical solvent. Prolonged contact will damage the device performance.

Note: All specifications subject to change without notice.

Rev P 01/2019 - Page: 1/5  
Code K01-01H

# Type CBW57 Thermal Circuit Breaker Push to Reset – Low Profile



www.optifuse.com (619) 593-5050

## Mechanical Dimensions: Inches [mm]

Part Number Information									
CBW57-	<b>X</b>	<b>Y</b>	-	<b>ZZ</b>	-	<b>B</b>	<b>N</b>	<b>P</b>	<b>S</b>
	Table 1	Table 2		Table 3		Table 4	Table 5	Table 6	Table 7

## Mechanical Dimensions: Inches [mm]

**Table 1 - Where X is Bushing Style**

<b>H</b>	<b>Metal</b> M11 – 10.8 mm diameter - 9.8 mm pinch point – 9.6 mm high
<b>B</b>	<b>Metal</b> M11 – 10.8 mm diameter - 9.8 mm pinch point – 9.6 mm high
<b>G</b>	<b>Metal</b> 3/8” 27 Thread – 9.5 mm diameter – 8.5 mm pinch point – 12.5 mm high
<b>P</b>	Plastic M11 – 10.8 mm diameter - 9.8 mm pinch point – 9.6 mm high
<b>Q</b>	Plastic M12 – 11.8 mm diameter – 10.8 mm pinch point – 8.2 mm high
<b>E</b>	Plastic 3/8” 27 Thread – 9.5 mm diameter – 8.5 mm pinch point – 12.5 mm high
<b>S</b>	Plastic – Panel – 8 mm high
<b>C</b>	Plastic – Snap-in – 9.8 mm high
<b>A</b>	Automatic Reset – No Bushing

H - Metal M11XP1.0	B - Metal M11XP1.0	G - Metal 3/8"-27T	P - Plastic M11XP1.0	Measurements	
					A 0.43 [10.8]
					B 0.53 [13.5]
					C 0.39 [9.8]
					D 0.38 [9.6]
					E 0.49 [12.5]
					F 0.32 [8.2]
					G 0.62 [15.8]
					H 0.54 [13.8]
					J 0.33 [8.5]
				K 0.37 [9.5]	
				L 0.51 [13.0]	
				M 0.32 [8.2]	
				N 0.46 [11.8]	

Bushing Type vs. Panel Hole	H, P	Q	G, E	C

A - Automatic, No Bushing

Note: All specifications subject to change without notice.

**Type CBW57**  
**Thermal Circuit Breaker**  
**Push to Reset – Low Profile**



www.optifuse.com (619) 593-5050

**Mechanical Dimensions: Inches [mm]**

**Table 2 - Where Y is Terminal Configuration**

S	B	R	4	5	6	8
Straight 0.46 [11.8]	90° Bend	90° Reverse Bend	90° Bend Load Pin	90° Bend Line Pin	Straight 0.31 [8]	45° Bend
9	X	F	L	J	L4	
45° Reverse Bend	Straight 0.13 [3.2]	Screw #8-32	Screw #8-32 90° Bend	Screw #8-32 90° Reverse Bend	Screw #8-32 90° Bend Line Pin	

**Table 3 - Where ZZ is Amperage**

**03A to 20A** (03, 3.5, 04, 05, 06, 07, 7.5, 08, 10, 11, 12, 13, 15, 16, 17, 18, 20, 22, 25, 30)

See comments on first page for approvals information.

The above represents only standard current rates. Please contact factory for additional ratings.

**Table 4 - Where B is Button Color**

<b>Blank</b>	Black Button	
<b>W</b>	White Button	
<b>R</b>	Red Button	
<b>1</b>	Black Button w/ Amperage in White	
<b>5</b>	White Button w/ Amperage in Black	
<b>6</b>	Red Button w/ Amperage in White	

# Type CBW57 Thermal Circuit Breaker Push to Reset – Low Profile



www.optifuse.com (619) 593-5050

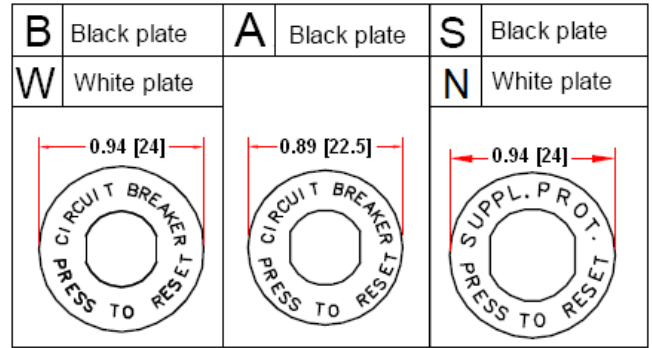
## Mechanical Dimensions: Inches [mm]

**Table 5 - Where N is Nut Type**

Blank	H	C	P	Q	X
Metal Knurlnut	Metal Hexnut (M11xP1.0) H=0.55[14] (M12xP1.0) H=0.59[15]	Metal Knurlnut  Hexnut	Plastic Integrated Knurlnut	Plastic Knurlnut	Plastic Integrated Knurlnut
For Bushings: H, B, P, Q Not available for G or E	For Bushings: H, B, G, P, Q, E	For Bushings: H, B, P, Q Not available for G or E	For Bushings: H, B, G, P, Q, E	For Bushings: H, B, G, P, Q, E Default for G and E	For Bushings: H, B, G, P, Q, E

**Table 6 - Where P is Nameplate**

<b>Blank</b> = None	
<b>B</b> Black nameplate	Circuit Breaker Press to Reset
<b>W</b> White nameplate	Circuit Breaker Press to Reset
<b>A</b> Black nameplate	Circuit Breaker Press to Reset
<b>S</b> Black nameplate	Suppl. Prot. Press to Reset
<b>N</b> White nameplate	Suppl. Prot. Press to Reset



**Table 7 - Where S is Splash-proof**

**Blank** – None

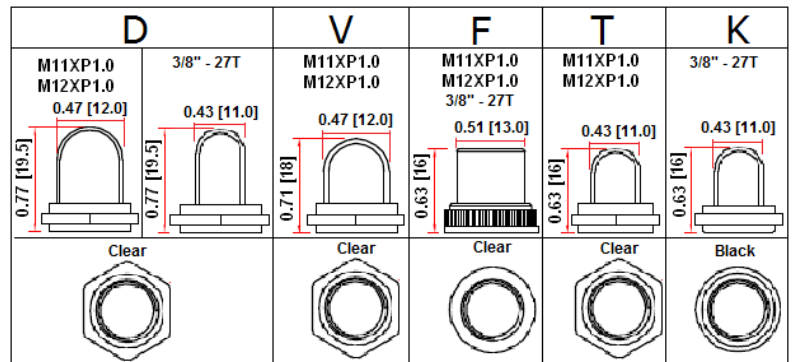
**D** – For H, B, G, P, Q, E Bushing Styles only

**V** – For H, B, P, Q Bushing Styles only

**F** – For H, B, G, P, Q, E Bushing Styles only

**T** – For H, B, P, Q Bushing Styles only

**K** – For G, E Bushing Styles only



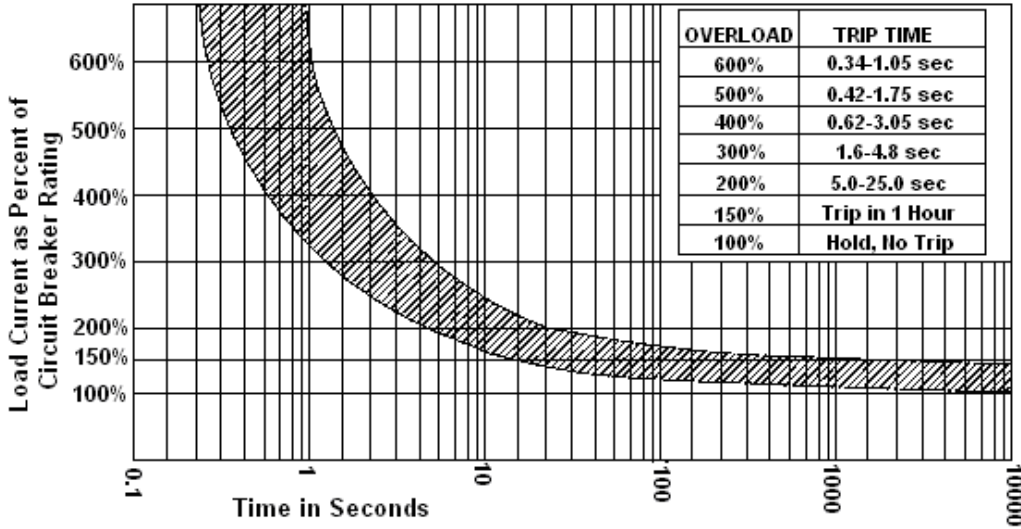
Note: All specifications subject to change without notice.

**Type CBW57  
Thermal Circuit Breaker  
Push to Reset – Low Profile**



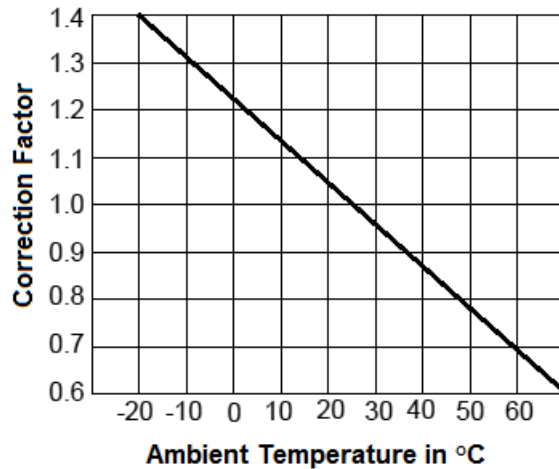
www.optifuse.com (619) 593-5050

**Trip Time Curve @ +25°C**



Max. Internal Resistance at 25°C	
Current Rating	Maximum Resistance
3A-4A	< 0.050Ω
5A-6A	< 0.040Ω
7A-8A	< 0.025Ω
9A-11A	< 0.020Ω
12A-13A	< 0.010Ω
14A-16A	< 0.008Ω
17A-25A	< 0.007Ω

**Ambient Compensation Chart**



**Ambient Temperature Correction Factor:**

The time/current characteristic curve depends on the ambient temperature prevailing. In order to eliminate nuisance tripping, please multiply the current breaker current ratings by the derating factor shown above.