

# Open Type Indicators

MOUNT IN 1" CLEARANCE HOLE  
FOR 2 TO 120V OPERATION

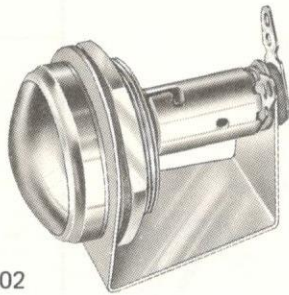


T-3 1/4  
MINIATURE  
BAYONET BASE

See lamp ratings  
on page K.

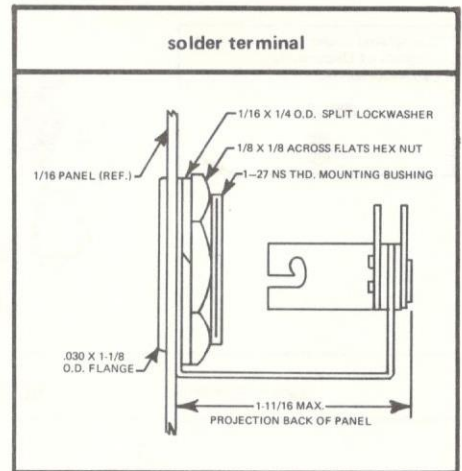
## MATERIALS AND FINISHES

- Lens Holder and Mounting Bushing: Brass, polished chrome finish.
- Angle Bracket and Socket Shell: Steel, cadmium plated.
- Mounting Nut: Steel, cadmium plated and with irridite protective coating.
- Terminals: Solder—brass, hot-tinned



502-3241-0111-302  
Convex lens

## 502 SERIES



BASE PART NUMBER

502-3241-102

CAP PART NUMBERS		COMPLETE ASSEMBLY PART NUMBERS
<p><b>CONVEX</b> 32-0111-300 back frosted</p>		502-3241-0111-302
<p><b>FLAT</b> 32-0211-300 back frosted For legends on flat faced lens, see page P.</p>		502-3241-0211-302
<p><b>FACETED</b> 32-0431-300 transparent</p>		502-3241-0431-302

Part numbers listed in this catalog designate products with RED lens. For ordering lens colors other than red, consult chart on page 2D.

Part numbers shown in gray are normally in inventory at your Dialight Distributor.