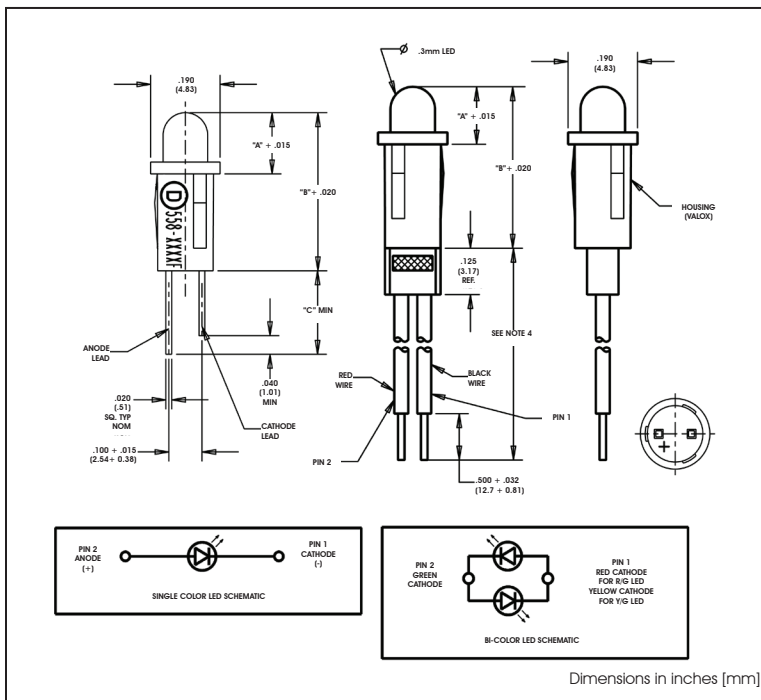


558 Series Snap-in LED - .156" Mounting Hole Panel Mount Indicators



Features & Benefits

- RoHS compliant
- Long life - typically 100K hours
- Low power consumption - uses up to 90% less energy than an incandescent indicator
- Front panel snap-in mounting requires no additional hardware
- No heat generated
- Resistant to shock and vibration
- Termination - straight terminals for wire wrapping or lead wire for soldering or optional terminals
- Available with PVC-free lead wires

Application

Dialight's 558 series LED panel mount indicator is available with a variety of LEDs including AlInGaP and InGaN technology for high brightness applications, bicolor and integral resistors. These indicators are designed for a variety of applications such as:

- Fan tray assemblies
- Datacenter Infrastructure (Servers and Storage)
- Networking Equipment (Switches and routers)
- Storage Networking Hardware (Fibre channel host bus adapter cards)
- Next-Gen Wireless Infrastructure
- Electronic Test & Measurement Instruments
- Communications Testing Equipment
- Process controls
- Automation
- Medical Equipment
- Handheld devices

Mechanical Information

Mounting Hole Size: 0.155 - 0.158" (3.94 - 4.01 mm)
Max Panel Thickness: 0.031 - 0.062" (.787 - 1.57 mm)

Electrical specifications

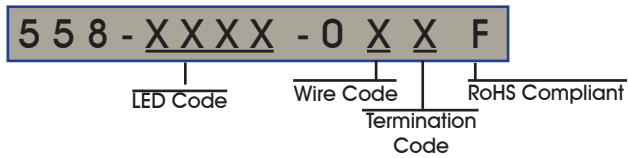
Operating Voltage: 1.8 - 3.3 VDC typical (current limiting resistor required)
5 VDC typical (resistor not required)
Operating Temp: See table
Storage Temp: (-67°F to +212°F) -55°C to +100°C
Electrical connection: Straight terminals for wire wrapping or either 6 or 14 inch 26 AWG lead wire
Leads: Straight leads
2 leads

Construction

Housing: Black housing material meets: UL94V-0 and enhances LED contrast

558 Series

Snap-in LED - .156" Mounting Hole • Panel Mount Indicators



Wire Code	Wire Type
0	Standard
2	PVC Free

Termination Code	Termination Type
1	Straight Terminals
3	24 AWG 6" wire leads
7	24 AWG 14" wire leads

LED Code	Color	Peak Wavelength (nm)	Intensity Typ. (mcd)	If Typ. (mA)	Vf Typ. (V)	Viewing Angle	Max DC Forward Current (mA)	Type	Operating Temp	DIM "A"	DIM "B"
0102	Red	635	29	12	5	60	7.5 Vf	5V Integral Resistor	-40°C to +85°C	0.101	0.381
0202	Green	565	19	12	5	60	7.5 Vf	5V Integral Resistor	-40°C to +85°C	0.101	0.381
0302	Yellow	585	12.6	12	5	60	7.5 Vf	5V Integral Resistor	-40°C to +85°C	0.101	0.381
3001	Red/Green	630/565	5.6/8.7 @10mA	10/20	1.9/2.0 @20mA	200	30 / 30	Bi-Color	-55°C to +100°C	0.101	0.381
3101	Red/Green	660 / 565	12.6 / 3.7	20	1.8 / 2.1	200	40 / 30	Bi-Color	-55°C to +100°C	0.101	0.381
3201	Yellow/Green	585 / 565	5.8/12.3	10	2.1 / 2.1	80	20 / 30	Bi-Color	-55°C to +100°C	0.101	0.381
0101	Red	650	10	10	2	40	20	High Efficiency Diffused	-25°C to +85°C	0.111	0.391
0201	Green	563	16	10	2.1	40	25	High Efficiency Diffused	-25°C to +85°C	0.111	0.391
0301	Yellow	585	16	10	2.1	40	20	High Efficiency Diffused	-25°C to +85°C	0.111	0.391
0401	Orange	600	7	10	1.9	60	25	High Efficiency Diffused	-55°C to +100°C	0.101	0.381
1801	Red	660	60	20	1.8	60	40	High Efficiency Diffused	-40°C to +100°C	0.101	0.381
0803	Blue	468	57	10	3.2	100	30	High Efficiency Diffused	-40°C to +85°C	0.107	0.387
1101	Red	635	2.3	2	1.7	60	7	Low Current Diffused	-55°C to +100°C	0.101	0.381
1201	Yellow	585	1.4	2	1.8	60	7	Low Current Diffused	-40°C to +100°C	0.101	0.381
1301	Green	565	1.6	2	1.9	60	7	Low Current Diffused	-55°C to +100°C	0.101	0.381
0501	Green	565	70	20	2.1	45	30	Non-Tinted/Non-Diffused	-55°C to +100°C	0.101	0.381
0601	Yellow	592	200	20	1.9	45	50	Non-Tinted/Non-Diffused	-40°C to +100°C	0.101	0.381
0701	Red	660	170	20	1.8	45	40	Non-Tinted/Non-Diffused	-40°C to +100°C	0.101	0.381
6003	Blue	468	520	20	3.3	45	30	Non-Tinted/Non-Diffused	-40°C to +85°C	0.101	0.381
6403	White	X=.31 Y=.32	3000	20	3.3	45	30	Non-Tinted/Non-Diffused	-40°C to +85°C	0.101	0.381
1501	Green	565	40	10	2.1	45	30	Tinted/Non-Diffused	-55°C to +100°C	0.101	0.381
1601	Yellow	585	70	20	2.1	45	20	Tinted/Non-Diffused	-55°C to +100°C	0.101	0.381
1701	Red	660	170	20	1.8	45	40	Tinted/Non-Diffused	-40°C to +100°C	0.101	0.381
6203	Green	518	270	10	3	100	30	White Diffused	-45°C to +85°C	0.101	0.381

Lake-View Electronics Corp. 1054 Pioneer Rd. Grafton, WI Ph: 262-377-8250 Fax: 262-375-0109

www.lvelectronics.com

Email: sales@lvelectronics.com

Dialight reserves the right to make changes at any time in order to supply the best product possible. The most current version of this document will always be available at: www.dialight.com/Assets/Brochures_And_Catalogs/Illumination/MDEL558CX001.pdf. Warranty Statement: EXCEPT FOR THE WARRANTY EXPRESSLY PROVIDED FOR [HEREIN/ABOVE/BELOW], DIALIGHT DISCLAIMS ANY AND ALL OTHER WARRANTIES, EXPRESS OR IMPLIED, INCLUDING, WITHOUT LIMITATION, ANY WARRANTIES OF MERCHANTABILITY, FITNESS FOR A PARTICULAR PURPOSE, TITLE, AND NON-INFRINGEMENT.

MDEL558CX001_C