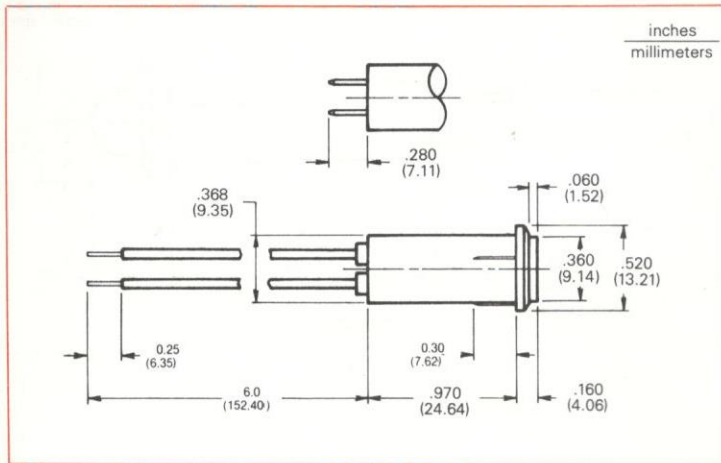
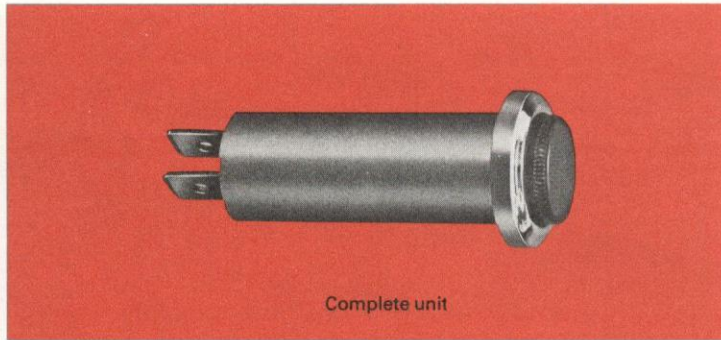


**6330 SERIES  
SOLID STATE INDICATORS**



**Features**

Unequalled brightness and lens size with up to 13 mcd and a 0.3" (7.62mm) lens. Provides up to 140° field of indication. Completely solid state for long life and shock resistance. Low power consumption and high reliability. Units include current-limiting resistors and a choice of wire or solder terminal leads. Furnished with chrome bezel. Red or amber color.

**Specifications**

**Mechanical**

Mtg. hole: .375" (9.53mm) dia.  
 Mtg. centers: .531" (13.49mm) min.

Panel thickness: 1.00" (25.4mm) max.

Body diameter: .368" (9.35mm)

Lens diameter: .360" (9.14mm)

**Materials and Finishes**

Bezel: Chrome Plated  
 Solder Lugs: Tin Plated Brass  
 Body: Nylon  
 Leads: 22 gauge stranded tinned copper, 6" (152.4mm) long  
 White lead indicates cathode

**Lens Colors**

Red or amber

**Electrical**

See ordering information for details

**Ordering Information**

Order complete unit including lens color with single catalog number. R = red, A = amber

Catalog Numbers	Max. DC Current	Max. Rev. Volts	Forw'd Volts @20mA	Typ'l Lumin. Inten.	Field of Indication
<b>WIRE LEADS</b>					
6330-302-505R	40mA*	5.0VDC	2.0VDC	13mcd	140°
6332-302-505R	40mA	5.0VDC	5.0VDC	13mcd	140°
6334-302-505R	35mA	5.0VDC	14.0VDC	11mcd	140°
6336-302-505R	20mA	5.0VDC	28.0VDC	7mcd	140°
6330-301-505A	40mA*	5.0VDC	2.0VDC	10mcd	140°
6332-301-505A	40mA	5.0VDC	5.0VDC	10mcd	140°
6334-301-505A	35mA	5.0VDC	14.0VDC	9mcd	140°
6336-301-505A	20mA	5.0VDC	28.0VDC	5mcd	140°
<b>SOLDER LUG TERMINALS</b>					
6330-002-505R	40mA*	5.0VDC	2.0VDC	13mcd	140°
6332-002-505R	40mA	5.0VDC	5.0VDC	13mcd	140°
6334-002-505R	35mA	5.0VDC	14.0VDC	11mcd	140°
6336-002-505R	20mA	5.0VDC	28.0VDC	7mcd	140°
6330-001-505A	40mA*	5.0VDC	2.0VDC	10mcd	140°
6332-001-505A	40mA	5.0VDC	5.0VDC	10mcd	140°
6334-001-505A	35mA	5.0VDC	14.0VDC	9mcd	140°
6336-001-505A	20mA	5.0VDC	28.0VDC	5mcd	140°

\*NOTE: 6330-XXX-XXXX units do not have internal current limiting resistor.

**Available Hardware**

Mounting Clip: Order Cat. No. 217-909-16

Lake-View Electronics Corp. 1054 Pioneer Rd. Grafton, WI Ph: 262-377-8250 Fax: 262-375-0109

www.lvelectronics.com

Email: sales@lvelectronics.com