

6340 SERIES SOLID STATE INDICATORS

Features

Unequaled brightness and lens size with up to 13 mcd and a 0.4" (10.16mm) lens. Provides up to 140° field of indication. Completely solid state for long life and shock resistance. Low power consumption and high reliability. Units include current-limiting resistors and a choice of wire or solder terminal leads. Furnished with chrome bezel. Red or amber color.

Specifications

Mechanical

Mtg. hole: .500" (12.70mm) dia.
Mtg. centers: .625" (15.88mm) min.

Panel thickness: 1.00" (25.4mm) max.

Body diameter: .490" (12.45mm)

Lens diameter: .462" (11.73mm)

Materials and Finishes
Bezel: Chrome Plated

Solder Lugs: Tin Plated Brass
Body: Nylon

Leads: 22 gauge stranded tinned copper, 6" (152.4mm) long
White lead indicates cathode

Lens Colors
Red or amber

Electrical
See ordering information for details

Ordering Information

Order complete unit including lens color with single catalog number.
R = red, A = amber

Catalog Numbers	Max. DC Current	Max. Rev. Volts	Forw'd Volts @20mA	Typ'l Lumin. Inten.	Field of Indication
-----------------	-----------------	-----------------	--------------------	---------------------	---------------------

WIRE LEADS

6340-302-505R	40mA*	5.0VDC	2.0VDC	13mcd	140°
6342-302-505R	40mA	5.0VDC	5.0VDC	13mcd	140°
6344-302-505R	35mA	5.0VDC	14.0VDC	11mcd	140°
6346-302-505R	20mA	5.0VDC	28.0VDC	7mcd	140°
6340-301-505A	40mA*	5.0VDC	2.0VDC	10mcd	140°
6342-301-505A	40mA	5.0VDC	5.0VDC	10mcd	140°
6344-301-505A	35mA	5.0VDC	14.0VDC	9mcd	140°
6346-301-505A	20mA	5.0VDC	28.0VDC	5mcd	140°

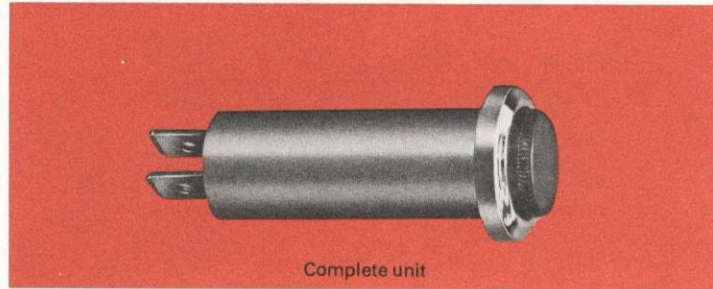
SOLDER LUG TERMINALS

6340-002-505R	40mA*	5.0VDC	2.0VDC	13mcd	140°
6342-002-505R	40mA	5.0VDC	5.0VDC	13mcd	140°
6344-002-505R	35mA	5.0VDC	14.0VDC	11mcd	140°
6346-002-505R	20mA	5.0VDC	28.0VDC	7mcd	140°
6340-001-505A	40mA*	5.0VDC	2.0VDC	10mcd	140°
6342-001-505A	40mA	5.0VDC	5.0VDC	10mcd	140°
6344-001-505A	35mA	5.0VDC	14.0VDC	9mcd	140°
6346-001-505A	20mA	5.0VDC	28.0VDC	5mcd	140°

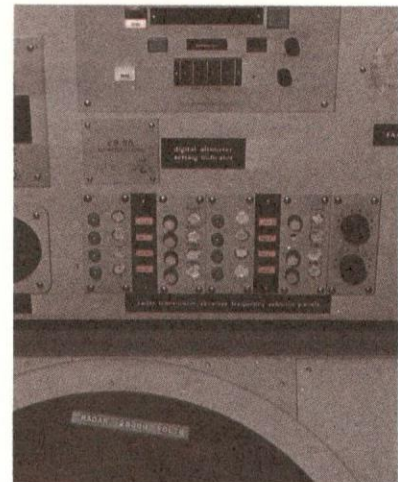
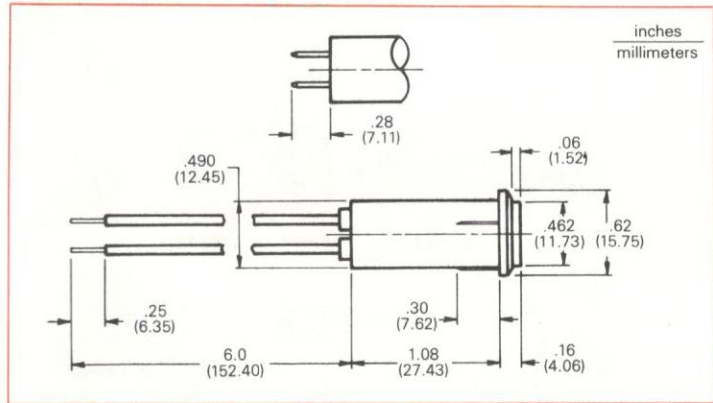
*NOTE: 6340-XXX-XXXX units do not have internal current limiting resistor.

Available Hardware

Mounting Clip: Order Cat. No. 217-910-19



Complete unit



Lake-View Electronics Corp. 1054 Pioneer Rd. Grafton, WI Ph: 262-377-8250 Fax: 262-375-0109

www.lvelectronics.com

Email: sales@lvelectronics.com