



# International Components Corporation

Quality Components since 1970

## EXTERNAL DRIVE PIEZO ELECTRIC



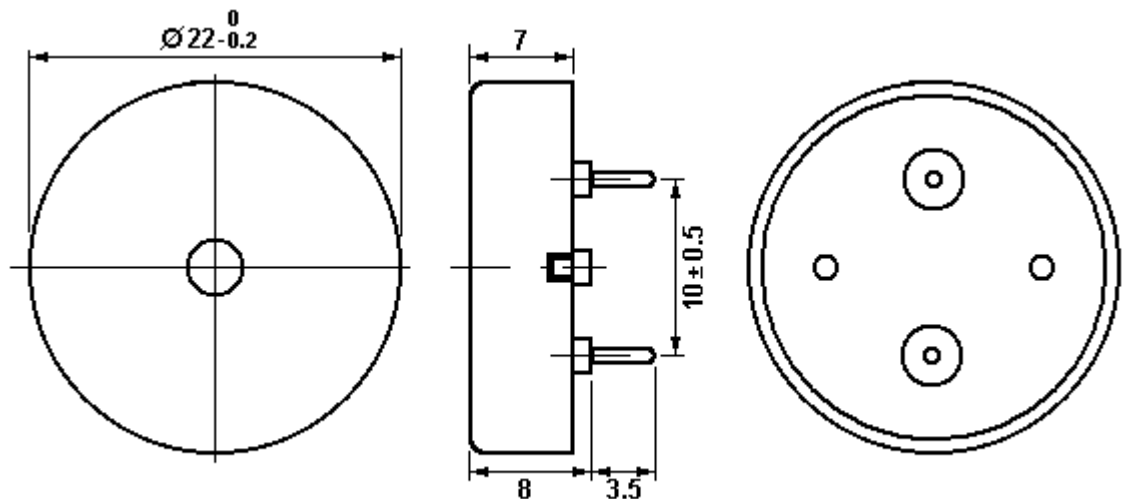
ROHS COMPLIANT

PART NUMBER:  
BRP2207P-30

### SPECIFICATIONS:

RATED VOLTAGE:	30 Vp-p VD
SOUND OUTPUT LEVEL:	95dB @30CM
TERMINAL TYPE:	2 PINS
RESONANT FREQUENCY:	4000 ± 500 Hz
OPERATING TEMPERATURE:	-40 TO +120 °C
ELECTROSTATIC CAPACITY:	12,000 ± 30%
FRAME DIAMETER:	22.0 mm
FRAME DEPTH:	7.0 mm
MOUNTING DIMENSIONS:	10.0 mm

### DIMENSIONS:



Weight: 3 gms

Lake-View Electronics Corp. 1054 Pioneer Rd. Grafton, WI Ph: 262-377-8250 Fax: 262-375-0109

[www.lvelectronics.com](http://www.lvelectronics.com)

Email: [sales@lvelectronics.com](mailto:sales@lvelectronics.com)