



International Components Corporation

Quality Components since 1970

PIEZO ELECTRIC ALARM WITH INTERNAL CIRCUITRY

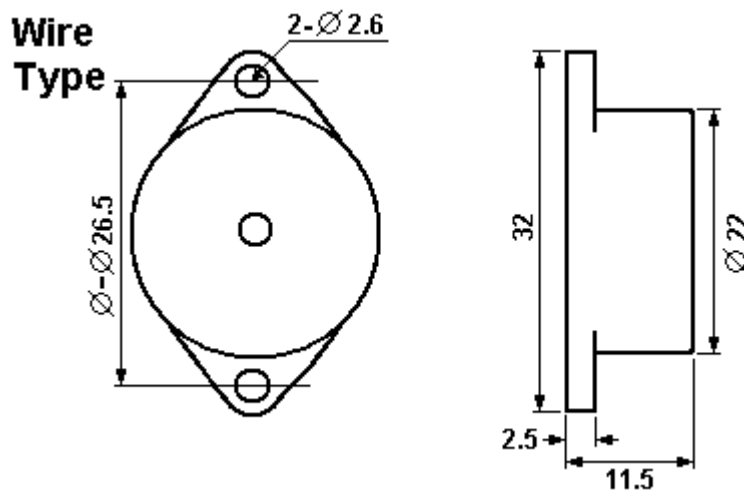


PART NUMBER:
BRP2212L-12-C

SPECIFICATIONS:

RATED VOLTAGE:	12 VDC
OPERATING VOLTAGE:	3 ~ 15 VDC
MAX CURRENT:	4.5 mA
SOUND OUTPUT LEVEL:	90dB @30CM
TERMINAL TYPE:	2 LEADWIRES
RESONANT FREQUENCY:	4000 ± 500 Hz
OPERATING TEMPERATURE:	-10 TO +60 °C
tone Mode:	CONTINUOUS
FRAME DIAMETER:	22.0 mm
FRAME DEPTH:	11.5 mm
MOUNTING DIMENSIONS:	15.0 mm

DIMENSIONS:



Lake-View Electronics Corp. 1054 Pioneer Rd. Grafton, WI Ph: 262-377-8250 Fax: 262-375-0109

www.lvelectronics.com

Email: sales@lvelectronics.com