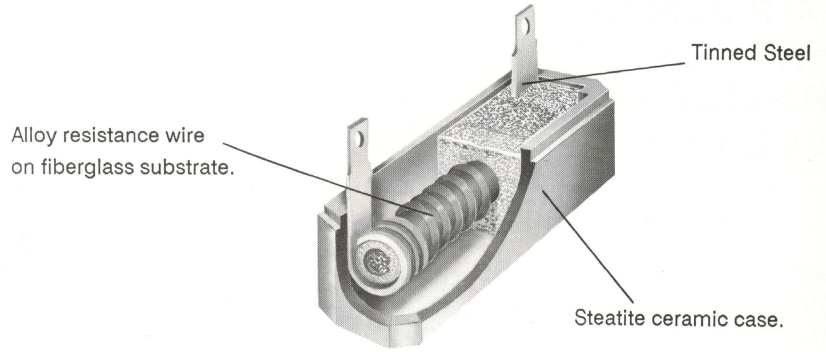




GENERAL PURPOSE POWER WIREWOUNDS

PW SERIES

- 20 watts to 50 watts
- ±10%, ±5% tolerance
- 0.1 ohms to 5.1K ohms
- Customs



SPECIFICATIONS:

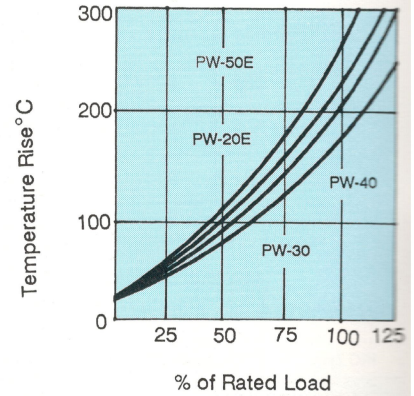
- Flameproof Inorganic Construction.
- EIA RS-344, Insulated Fixed Wirewound Resistors.
- 1000 hour load life at 25°C: 5% maximum.
- Moisture no load 240 hours: 2% maximum.
- Temperature cycling (5 cycles: 5% maximum).
- Thermal shock 2% max.

IRC Type	Power at 25°C (watts)	Resistance Range (ohms)
PW-20E	20	.1 - 5.1K
PW-30	30	.5 - 1.2K
PW-40	40	.65 - 1.5K
PW-50E	50	.8 - 1.8K

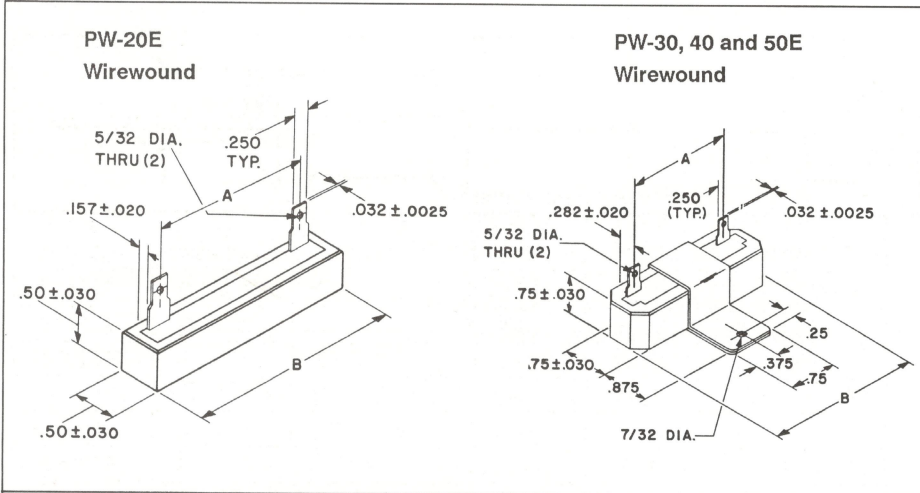
TEMPERATURE RISE

& POWER DERATING:

Temperature Rise at 25°C (without bracket)



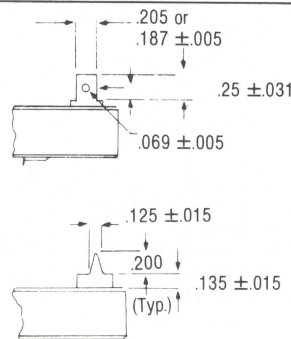
DIMENSIONS:



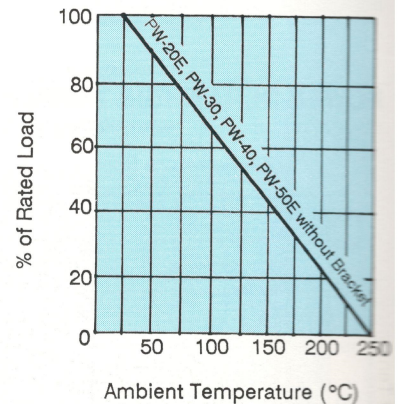
DIMENSIONS - IN.

IRC Type	A ±.030	B ±.060
PW-20E	1.875	2.50 ± .060
PW-30	2.00	2.55
PW-40	2.45	3.00
PW-50E	3.075	3.625

PW-20E Alternate Terminal Configurations .020" Tin Coated Steel



Power Derating



With Bracket
 PW-30 Increased to 40 watts
 PW-40 Increased to 50 watts
 PW-50E Increased to 60 watts