



# American Opto Plus LED L513GC-30D

5mm Dia LED LAMP – Water Clear

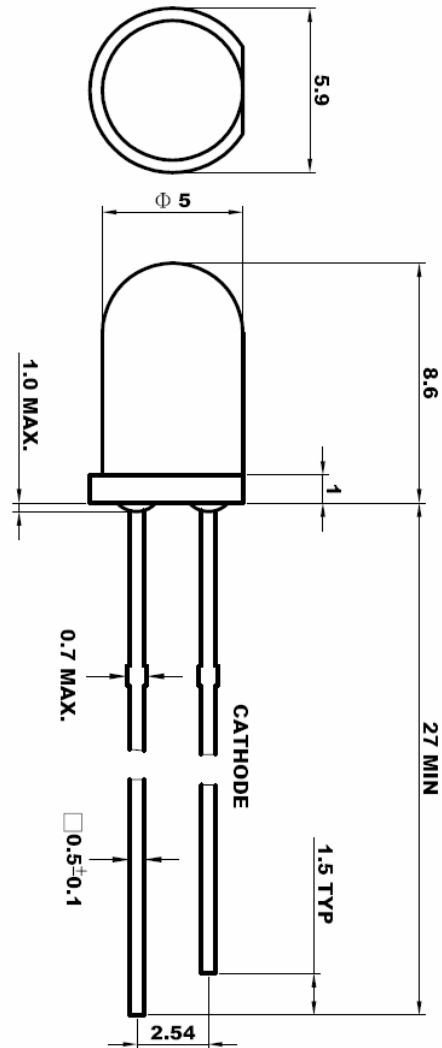
- ◆ 5.0mm DIA LED LAMP
- ◆ I.C. COMPATIBLE
- ◆ LOW POWER CONSUMPTION
- ◆ LONG LAMP LIFE

## DESCRIPTION

- Round type
- T1-3/4 (5mm) diameter
- Lens color: Water Clear
- With flange
- Solder leads without stand-off

## FEATURES

- Emitted color: Green
- Technology: GaP
- Viewing angle: 30°
- Peak wavelength  $\lambda_p = 568\text{nm}$



## SELECTION GUIDE

Chip Material	Chip Emitted	Lens Color	Viewing Angle
GaP	Green	Water Clear	30°



# American Opto Plus LED

## L513GC-30D

5mm Dia LED LAMP – Water Clear

- ◆ 5.0mm DIA LED LAMP
- ◆ I.C. COMPATIBLE
- ◆ LOW POWER CONSUMPTION
- ◆ LONG LAMP LIFE

### ABSOLUTE MAXIMUM RATINGS

(Ta=25°C)

Parameter	Symbol	Max Rating	Unit
Power Dissipation	$P_D$	65	mW
Peak Forward Current (1/10 Duty Cycle @1KHz )	$I_{PF}$	100	mA
Forward Current	$I_F$	25	mA
Reverse Voltage	$V_R$	5.0	V
Operating Temperature Range	$T_{OPR}$	-40~+85	°C
Storage Temperature Range	$T_{STG}$	-40~+85	°C

Solder temperature 2 mm from body for 3 seconds at 260°C

### OPTICAL-ELECTRICAL CHARACTERISTICS

Parameter	Symbol	Test Condition	Min	Typ	Max	Unit
Luminous Intensity	$I_V$	$I_F = 10mA$	25	60		mcd
Forward Voltage	$V_F$	$I_F = 10mA$		2.05	2.6	V
Reverse Current	$I_R$	$V_R = 5V$			10	uA
Viewing Angle	2θ1/2	$I_F = 10mA$		30		deg.
Peak Wavelength	$\lambda_P$	$I_F = 10mA$		568		nm
Dominant Wavelength	$\lambda_D$	$I_F = 10mA$		570		nm
Spectrum Radiation Bandwidth	$\Delta\lambda$	$I_F = 10mA$		30		nm

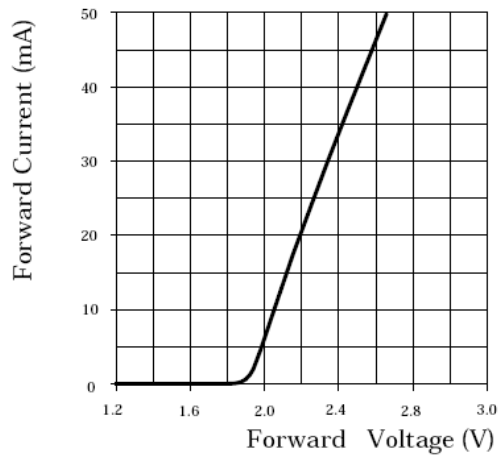


# American Opto Plus LED L513GC-30D

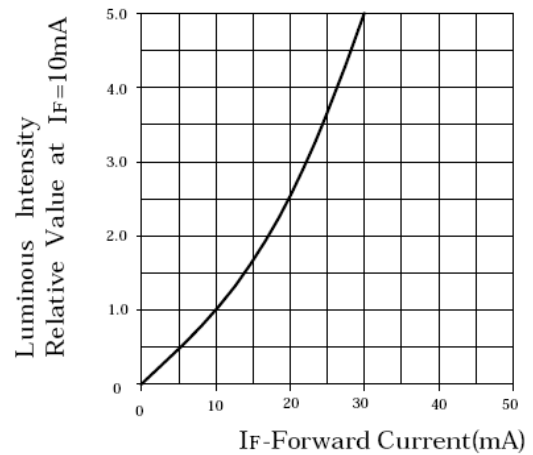
5mm Dia LED LAMP – Water Clear

- ◆ 5.0mm DIA LED LAMP
- ◆ I.C. COMPATIBLE
- ◆ LOW POWER CONSUMPTION
- ◆ LONG LAMP LIFE

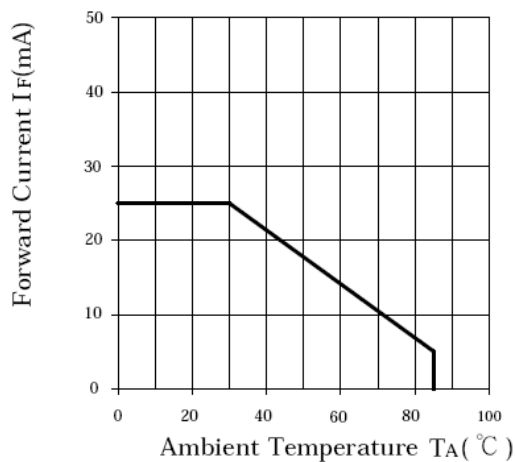
## TYPICAL ELECTRO-OPTICAL CHARACTERISTIC CURVES



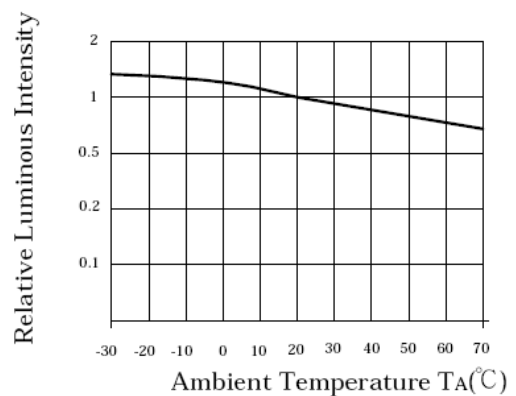
Forward Current Vs.  
Forward Voltage



Luminous Intensity Vs.  
Forward Current



Forward Current  
Derating Curve



Luminous Intensity Vs.  
Ambient Temperature