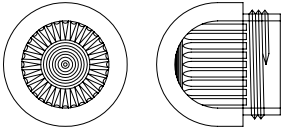
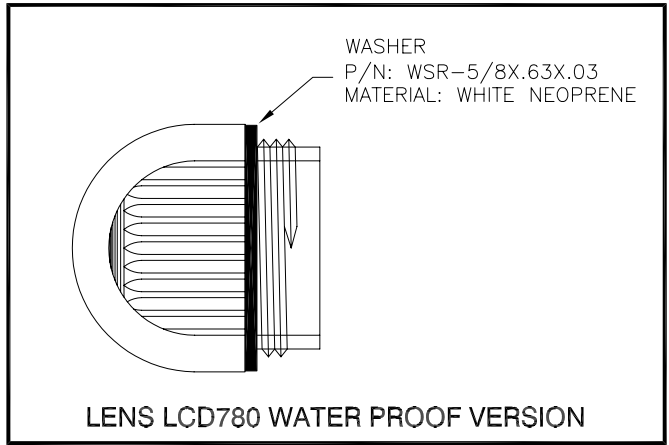
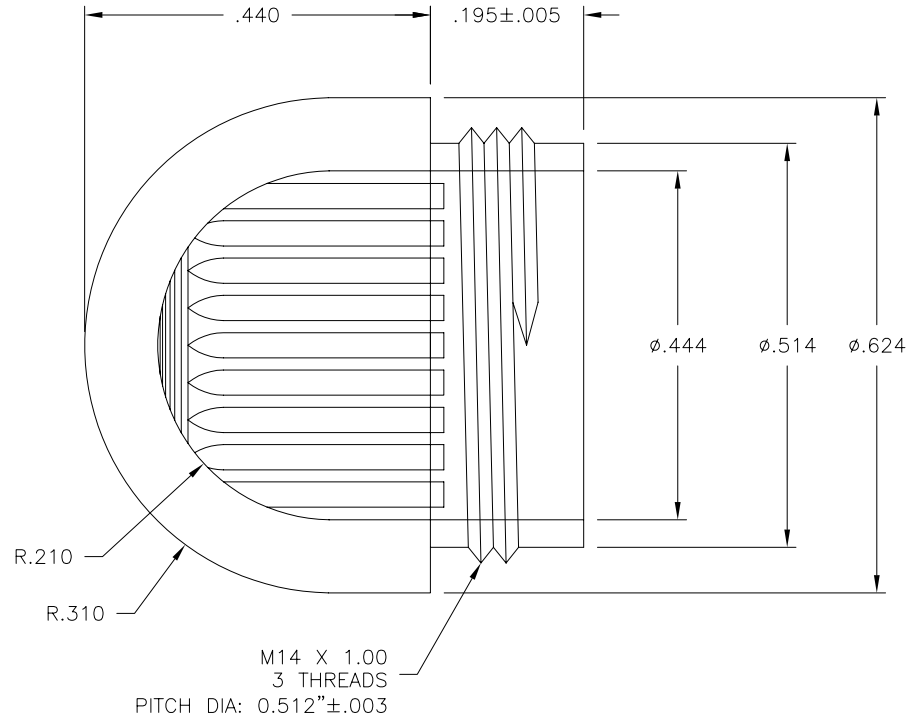
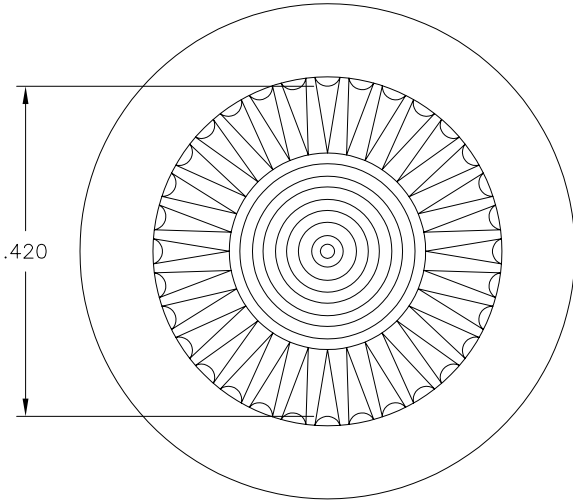


LTR	REVISION	DATE	APPD
-	RELEASED	05-14-09	



ACTUAL SIZE



NOTES:

1. MATERIAL: POLYCARBONATE-UV STABILIZED. (UL94V-2)
- 2.

COLOR CHART	
PART NO.	COLOR
LENS-LCD780-CAF	AMBER
LENS-LCD780-CBF	BLUE
LENS-LCD780-CGF	GREEN
LENS-LCD780-CRF	RED
LENS-LCD780-CYF	YELLOW
LENS-LCD780-CWF	WATER CLEAR
LENS-LCD780-TWF	TRANSLUCENT WHITE

RoHS
COMPLIANT
2002/95/EC

REVISION NOTIFICATION	
<input type="checkbox"/> PMA	
<input type="checkbox"/> UL	
<input type="checkbox"/> CUSTOMER _____	
<input type="checkbox"/> OTHER	



-PROPRIETARY-
This document contains Proprietary information of LEDTRONICS, INC. It may not be copied, used or disclosed for any purpose without the prior express written consent of LEDTRONICS, INC.

.XXX ± .010 TOLERANCE PER ANSI-Y14.5
.XX ± .025 (UNLESS OTHERWISE STATED)
ANGLES ± 0',30'
FRACT. ± 1/32

TITLE LENS-LCD780-XXX LENS-LCD780WXXX					
DWG NO	SCALE	SHEET	DATE		
CMLN0010-CUST	4:1	1 OF 1	05-14-09		
CODE IDENT NO. 8Z410	DWG BY GP 05-14-09	CHK BY PL 05-14-09	QA	MFG	R&D