

13351-D



UPC Code: 07847795741

Country of Origin: Please Contact Customer Service

Lampholders

Item Description

Medium G13 Base, Bi-Pin, Standard Fluorescent Lampholder, Low Profile, Slide-On, Turn-Type, Disconnect, Quick-Connect 18AWG Solid or Str. Tinned - White

Technical Information

Electrical Specifications

Voltage: 600 Volt

Rated Wattage: 660W

Material Specifications

Body Material: Thermoset

Contact Material: Copper-Alloy

Color: White

Availability: Distribution

Mechanical Specifications

Mounting Type: Slide-On

Panel Thickness: 18-20 Ga. Panel

Contact Type: Turn-Type

Termination: Quick-Connect 18AWG Solid or Str. Tinned

Wire Strip Length: 3/8 Inch

Product Features

Lamp Base: Medium G13

Lamp Contacts: Bi-Pin

Style Name: Low Profile

Mounting Type: Slide-On

Panel Thickness: 18-20 Ga. Panel

Contact Type: Turn-Type

Termination: Quick-Connect 18AWG Solid or Str. Tinned

Feature: Disconnect

Rated Wattage: 660W

Color: White

Standards and Certifications: UL/CSA/NOM

Warranty: 1 Year Limited

Availability: Distribution

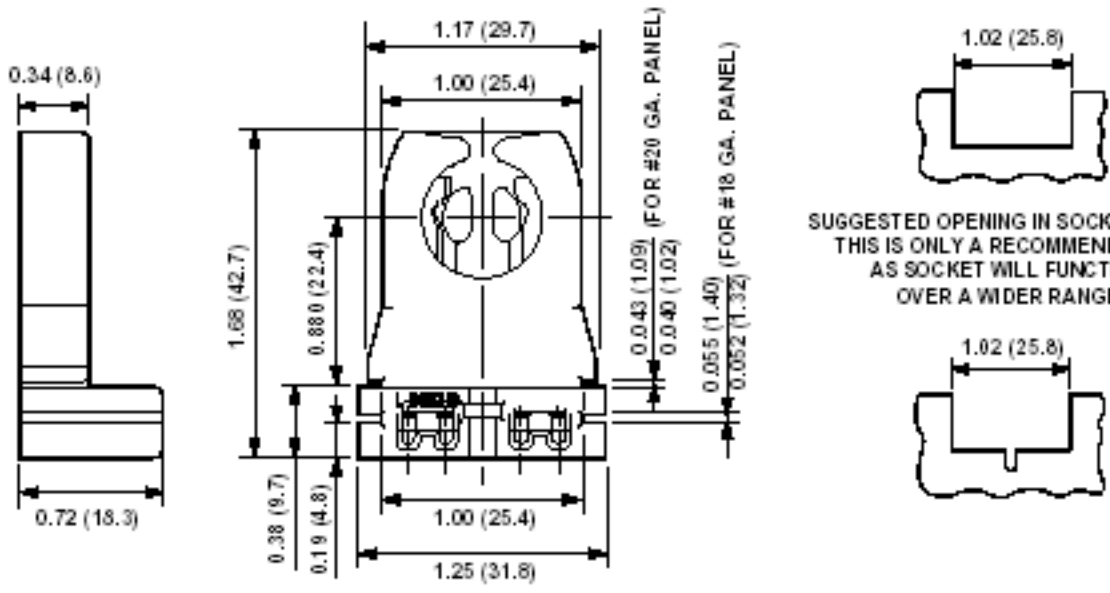
Standards and Certifications

UL Listed: File E5833

UL Rated: Meets UL 1570 Requirements

CSA Certified: File LR-1863

NOM Certified: 057



SUGGESTED OPENING IN SOCKET PLATE
THIS IS ONLY A RECOMMENDATION
AS SOCKET WILL FUNCTION
OVER A WIDER RANGE.

Lake-View Electronics Corp. 1054 Pioneer Rd. Grafton, WI Ph: 262-377-8250 Fax: 262-375-0109

www.lvelectronics.com

Email: sales@lvelectronics.com