

2536

## Lampholders

### Item Description

Slimline Base, Single Pin, Standard Fluorescent Lampholder, Pedestal, Slide-On Lock-On, Plunger, Quickwire 18AWG Solid or Str Tinned - White



### Technical Information

#### Electrical Specifications

**Voltage:** 1000 Volt

**Rated Wattage:** 660W

#### Material Specifications

**Body Material:** Thermoset

**Contact Material:** Copper-Alloy

**Color:** White

**Availability:** Distribution

#### Mechanical Specifications

**Mounting Type:** Slide-On Lock-On

**Panel Thickness:** 20 Ga. Panel

**Contact Type:** Plunger

**Termination:** Quickwire 18AWG Solid or Str Tinned

**Wire Strip Length:** 3/8 - 5/8 Inch

#### Product Features

**Lamp Base:** Slimline

**Lamp Contacts:** Single Pin

**Style Name:** Pedestal

**Mounting Type:** Slide-On Lock-On

**Panel Thickness:** 20 Ga. Panel

**Contact Type:** Plunger

**Termination:** Quickwire 18AWG Solid or Str Tinned

**Rated Wattage:** 660W

**Color:** White

**Standards and Certifications:** UL/CSA/NOM

**Warranty:** 1 Year Limited

**Availability:** Distribution

#### Standards and Certifications

**UL Listed:** File E5833

**UL Rated:** Indoor/Outdoor when properly enclosed.

**CSA Certified:** File LR-1863

**NOM Certified:** 057

Color:

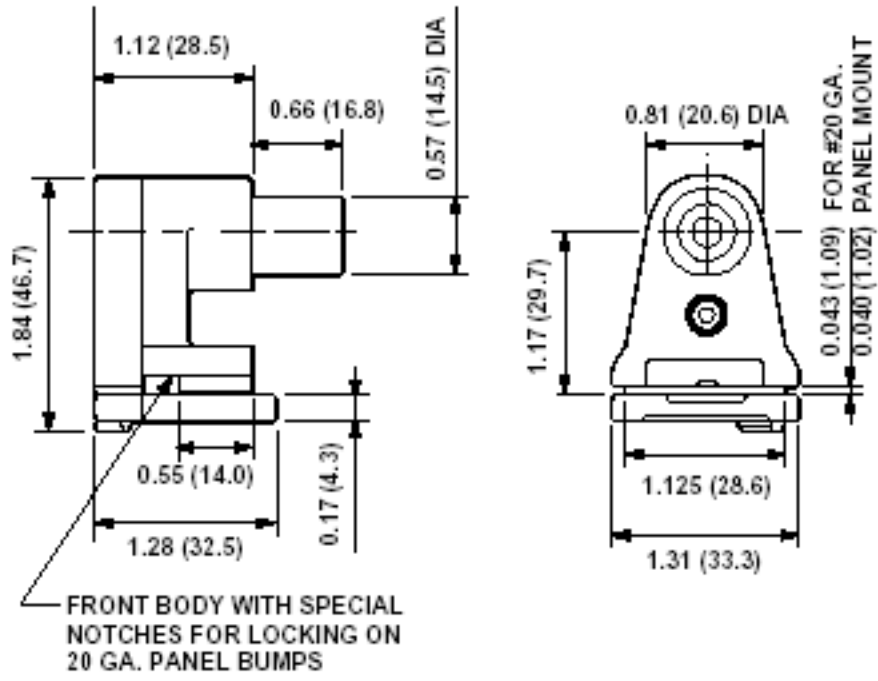


White

**UPC Code:** 07847755432

**Country of Origin:** Mexico - \*Eligible for  
ARRA funded projects > \$7,443,000





**Lake-View Electronics Corp. 1054 Pioneer Rd. Grafton, WI Ph: 262-377-8250 Fax: 262-375-0109**

**[www.lvelectronics.com](http://www.lvelectronics.com)**

**Email: [sales@lvelectronics.com](mailto:sales@lvelectronics.com)**