

SUBMINIATURE TYPE

920 Series Incandescent Lampholders



The mating lens caps accept a T-1 3/4 midget flanged base incandescent lamp, held in the lens assembly by means of a friction fit which insures good contact and prevents the lamp from falling out when the lens is removed. A lens assembly must be used with the holder to hold the lamp in proper relationship to the socket contact.

APPROVALS: Recognized under the Components Program of Underwriters Laboratories and Certified by CSA.

LAMP HOLDERS TO MIL SPEC: See military section.

SPECIFICATIONS:

Housing: Aluminum. Black anodized finish standard. Clear anodized or yellow iridescent chromate finish optional.

Internal Tooth Lockwasher & Hex Nut: Steel. Zinc-plated with yellow iridescent chromate finish.

Terminals: Brass. Tin-plated with elongated slot (3/64" x 3/32"). Tapered to accept a quick-connect receptacle.

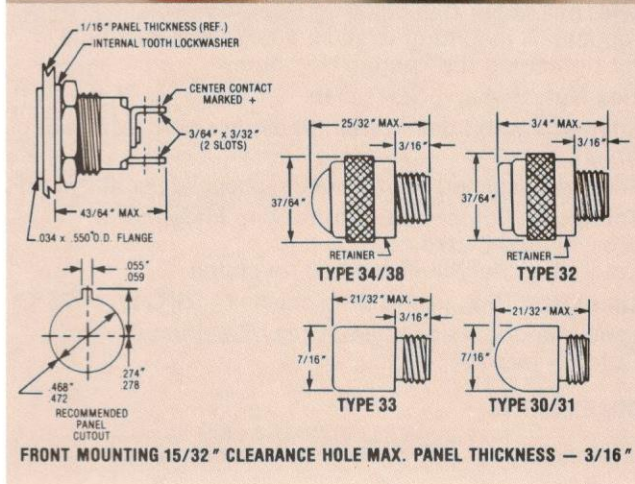
Socket: Brass. Nickel-plated.

Lens: Molded plastic. (-55°C to +75°C)

Lens Marking: Flat rotatable lenses may be stamped. Contact factory.

Lens Barrel: Brass. Nickel-plated.

Retainer: Aluminum. Black or clear anodized finish.



ORDERING INFORMATION:

Lampholders and lens caps may be ordered separately or as complete assemblies as shown in the example below:

EXAMPLE (Complete Assembly): 920 - 4 0 1 X - 31 0 RN

Lampholder Only Lens Cap Only

Lampholder					Lens Cap Assembly		
Series	Termination	Features	Finish	Resistor	Lens Style	Retainer	Lens Colors
920	4 Solder Lug	0 None	1 Black Anodized (standard)	X None	31 Stovepipe } Nondiffusing & Translucent Lens Colors Only	0 ³ No Retainer	NONDIFFUSING (Clear) AN Amber BN Blue CN Colorless GN Green RN Red WN White (Cloudy) YN Yellow TRANSLUCENT AT Amber BT Blue GT Green RT Red WT White YT Yellow DIFFUSING AD Amber BD Blue CD Colorless GD Green RD Red YD Yellow
			2 Clear (Silver) Anodized				
			3 Yellow Iridescent Chromate		33 Cylindrical	2 Clear (Silver) Anodized Finish	
					34 Convex—Nondiffusing lens colors only		
	38 Convex—Diffusing lens colors only						
	30 ² Stovepipe—RFI Shielded						

¹ Lens Marking Available. Contact factory.
² Use with type 3 finish on lampholder.
³ No retainer required with types 30, 31, and 33 lenses.