

LITTELITES

MINIATURE TYPE

930 Series Lampholders



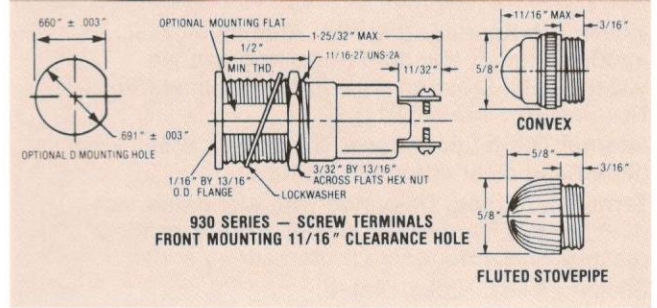
The 930 series miniature lampholders are designed to accommodate the T-3/4 and T-2 bayonet based incandescent lamps and the T-3/4 bayonet based neon lamps.

APPROVALS: Listed by Underwriters Laboratories and Certified by CSA.

LAMP HOLDERS TO MIL SPEC: See Military section.

SPECIFICATIONS:

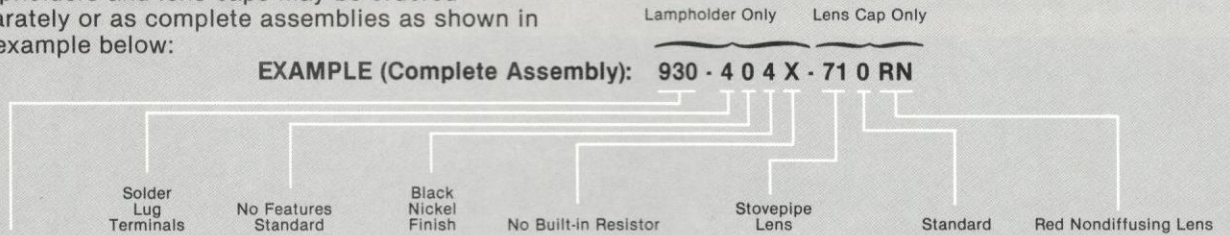
- Housing:** Brass. Black nickel, bright nickel, polished chrome, or satin chrome finishes.
- Body:** High dielectric phenolic.
- Lockwasher:** Phosphor bronze. Nickel-plated.
- Hex Nut:** Brass. Nickel-plated.
- Terminals:** Solder Lug: Brass, tin-plated. Screw Type: 4-40 brass, nickel-plated binding head screws.
- Lens:** High strength plastic.
- Retainer:** Brass. Black nickel, bright nickel, polished chrome or satin chrome finishes available.



ORDERING INFORMATION:

Lampholders and lens caps may be ordered separately or as complete assemblies as shown in the example below:

EXAMPLE (Complete Assembly): 930 - 4 0 4 X - 71 0 RN



LAMP HOLDERS					LENS CAPS		
SERIES	TERMINATION	FEATURES	FINISH	RESISTOR ²	STYLE	FEATURES	COLOR
930	4 Solder Lug	0 None-Standard	4 Black Nickel	X None (No resistor required with incandescent lamps)	72 Flat ³ 82 Flat ⁴ 86 Flat Drip proof ³ 87 Flat Drip proof ⁴ 78 Convex ³ 88 Convex ⁴ 79 Convex Drip proof ³ 89 Convex Drip proof ⁴	RETAINER 4 Black Nickel	NONDIFFUSING (Clear)
	5 Screw Type	1 "D" Hole Mounting	5 Bright Nickel	R 27KΩ		5 Bright Nickel	AN Amber BN Blue ⁵ CN Colorless GN Green ⁵ RN Red WN White YN Yellow
		2 ¹ Drip proof	6 Satin Chrome (Special Orders Only)	S 33KΩ		6 Satin Chrome (special)	TRANSLUCENT ⁶ AT Amber BT Blue GT Green RT Red WT White YT Yellow
		3 ¹ "D" Hole Mounting & Drip-proof	7 Polished Chrome	C 56KΩ		7 Polished Chrome	
				F 68KΩ	NO RETAINER REQUIRED		DIFFUSING ⁶ AD Amber BD Blue CD Colorless GD Green RD Red YD Yellow
				E 100KΩ	71 Stovepipe ³ 73 Cylindrical ³ 74 Fluted stovepipe ⁵ 75 Semi-Fluted stovepipe ⁵	0 Standard 8 Dripproof	

¹ These styles supplied with rubber washers for body and lens.
² For proper resistor/neon lamp compatibility, see Lampholder/Resistor Table on back page of Littelite Section.
³ Nondiffusing & translucent colors only.
⁴ Diffusing colors only.
⁵ Nondiffusing colors only.
⁶ Not recommended for neon lamps.