

LITTELITES

SNAP-MOUNT TYPE

980 Series 1/2" Diameter Lights



APPROVALS: Units with wire leads are U.L. Listed. Units with Q.C. terminals are Recognized under the Components Program of Underwriters Laboratories. All units are Certified by CSA.

SPECIFICATIONS:

Housing: White nylon (standard). Other colors available to special order. (-55°C to +75°C)

Bezel: Chrome-plated finish standard. Black anodized, clear anodized, gold iridite finish available to special order. Bezels are required with lens types 94 (flat square) and 99 (short square). Bezels are optional on all other lens types.

Termination: Wire Leads: Black, #18 gauge, PVC plastic insulated, UL-CSA rated at 105°C. 6" ± 1/2" long, stripped 1/2".

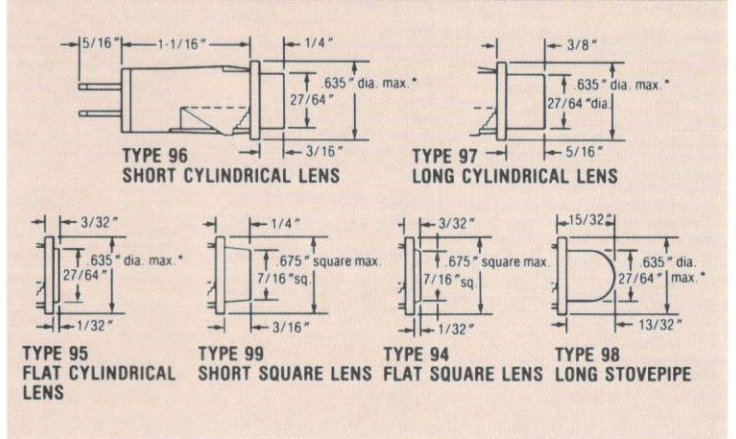
Terminals: Brass. Tin-plated. 3/16" quick-connect.

Lens: Molded plastic.

Lens Marking: Flat lenses may be stamped. Contact factory.

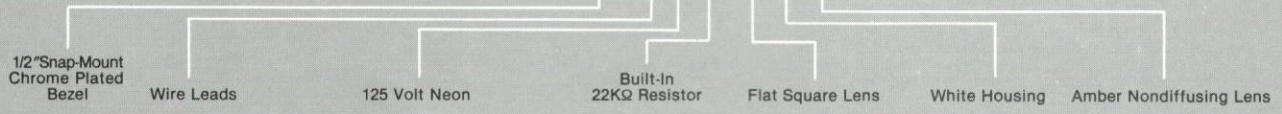
Lamps: Incandescent or high brightness neon. Refer to the Ordering Information below.

Mounting: Designed to snap securely into a .500"/.510" diameter hole. Panel thickness ranges from .040" to .100".



ORDERING INFORMATION:

EXAMPLE: 981 - 6 70 A - 94 W AN



Series Number	Termination	Lamp				Resistor	Lens Type	Housing Color	Lens Color	
980 No Bezel	6 6" wire leads	INCANDESCENT				X None (No resistor required with incandescent lamps)	94 ⁵ Flat Square (Fresnel)	W White (Standard)	NONDIFFUSING (Clear)	
		Code	Volts	MA	Life (Hours)					
		10	6.0	40	10,000					
		12	6.3	200	5,000					
		02	6.3	200	20,000					
	981 Chrome Plated Bezel (standard)	7 .187" Q.C. Terminals	NEON (High Brightness)				A 22KΩ	95 Flat Cylindrical (Fresnel)		AN Amber
			70 ²	125.0	1/3 W	10,000				
			71 ²	250.0	1/3 W	10,000				
			56 ³	125.0	1/3 W	10,000				
			56 ³	250.0	1/3 W	10,000				
982 Black Anodized Bezel		NEON (High Brightness)				B 30KΩ	96 Short Cylindrical (Fresnel)		BN Blue	
		70 ²	125.0	1/3 W	10,000					
		71 ²	250.0	1/3 W	10,000					
		56 ³	125.0	1/3 W	10,000					
983 Clear Anodized Bezel		NEON (High Brightness)				E 100KΩ	97 Long Cylindrical (Fresnel)		CN Colorless	
		70 ²	125.0	1/3 W	10,000					
984 Gold Iridite Bezel		NEON (High Brightness)				B 30KΩ	98 Long Stovepipe (Fresnel)		GN Green	
		70 ²	125.0	1/3 W	10,000					
		NEON (High Brightness)				E 100KΩ	99 ⁵ Short Square (Fresnel)		RN Red	
		70 ²	125.0	1/3 W	10,000					

² Standard Neon. Use with lens colors AN, CN, RN, WN, or YN.
³ Green neon. Use with lens colors CN, GN or WN.
⁴ Blue neon. Use with lens colors BN, CN, or WN.
⁵ Bezel Required.