

Cable Kit Family

*"Flexible Locations.
Rigid Standards."*



The Cable Kit Family can be adjusted to meet your application – simply attach the cable to the load and setting the stroke needed for your application with the adjustor on the solenoid.

The included electronic controller works in both 12 & 24 volt systems. The controller is rated to operate over a voltage range of 8-30v with the appropriate solenoid.

Trombetta's Cable Kits are used for fuel shut-off, throttle control, compression release, compressors, and generators.

TROMBETTA 
DC Power Solutions for a Harsh World

Engineering Excellence. Worldwide Competitiveness.

Cable Kit Family (Patented)

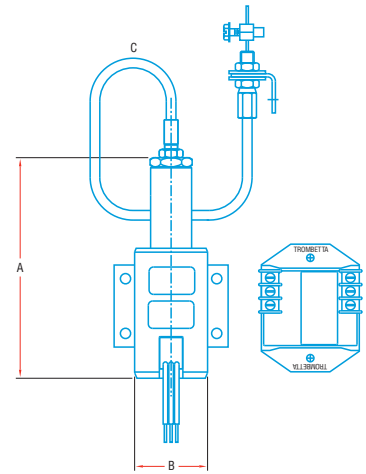
Cable Kit Family

| Series | Max Stroke | Max Force | A Inches [mm] | B Inches [mm] | C Inches [mm] |
|--------|------------|-----------|---------------|---------------|-----------------|
| P613-K | 1 1/2 | 20 | 6.10 [154.9] | 2.00 [50.8] | Length variable |

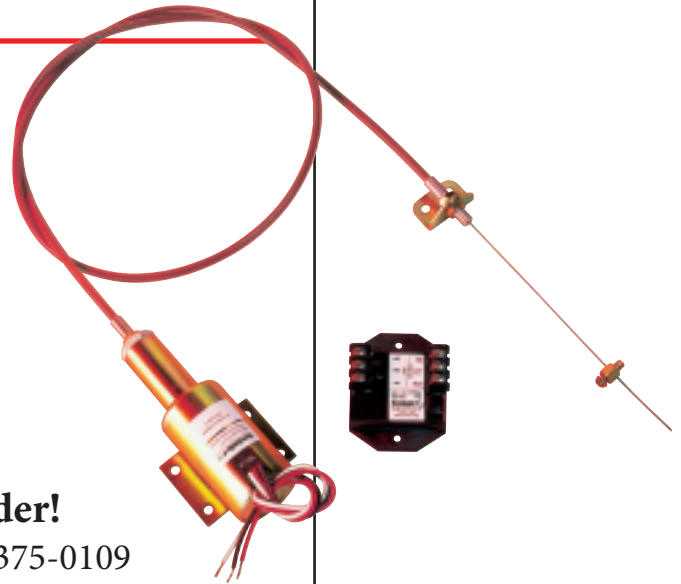
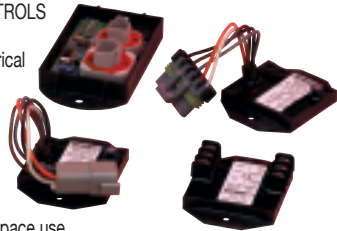
General Specifications

| Series | Pull Current Amps | Hold Current Amps | Pull Force At 68° F (20° C) | Hold Force At 68° F (20° C) |
|-------------------|-------------------|-------------------|-----------------------------|-----------------------------|
| P613-K 12 Volt | 68 | 0.9 | 20 lbs (89 Newtons) | 40 lbs (178 Newtons) |
| P613-K 24 Volt | 36 | .48 | 20 lbs (89 Newtons) | 40 lbs (178 Newtons) |

| Series | Max Ambient (Solenoid) | Max Coil | Max Solenoid Cycle Rate |
|-------------------|------------------------|----------|-------------------------|
| P613-K 12 Volt | 68 | 0.9 | 20 lbs (89 Newtons) |
| P613-K 24 Volt | 36 | .48 | 20 lbs (89 Newtons) |



TROMBETTA SOLENOID CONTROLS
Trombetta Electronic Controls regulate the magnitude of electrical drive applied to the coil during the pull-in and hold operation of the solenoid to optimize the performance of the solenoid. Using solenoid controls can show the benefit of employing smaller solenoids, maximizing space use.



Call **Lake-View Electronics** to place an order!

Ph: 262-377-8250 Toll Free: 800-686-8439 Fx: 262-375-0109

www.lvelectronics.com

e-mail: sales@lvelectronics.com



**LAKE-VIEW
ELECTRONICS**