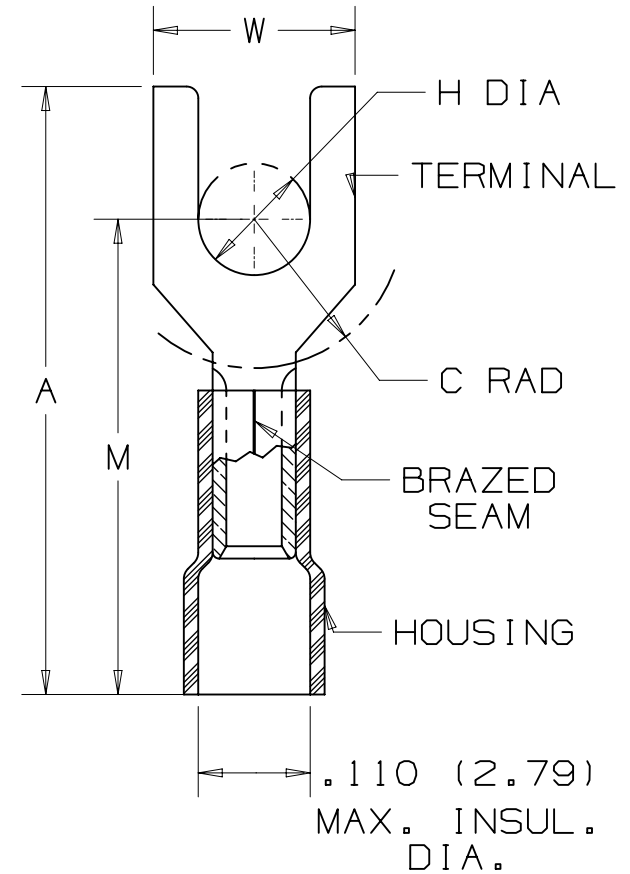


THIS COPY IS PROVIDED ON A RESTRICTED BASIS AND IS NOT TO BE USED IN ANY WAY DETRIMENTAL TO THE INTERESTS OF PANDUIT CORP.

PANDUIT PART #	STUD SIZE	DIMENSIONS - in [mm]				
		A ± .03 [0,8]	W ± .01 [0,3]	C ± .015 [0,4]	M ± .02 [0,5]	H ± .01 [0,3]
PV22-4F	#4	.67 [17,02]	.20 [5,08]	.21 [5,33]	.56 [14,22]	.12 [3,05]
PV22-6F	#6	.76 [19,30]	.25 [6,35]	.26 [6,60]	.62 [15,75]	.14 [3,56]

INSTALLATION TOOLS
CT-520
CT-1525 (A POCKET)
CT-2500 (CT-2525CH: A PKT)



NOTES:

- RECOMMENDED FOR:
 - A. #26-22 AWG SOLID OR STRANDED COPPER WIRE
 - B. 221° F (105°C) MAX TEMP. RATING
 - C. 600V MAX VOLTAGE RATING
- MATERIAL:
 - A. STAMPING - .02" [0,5] THK COPPER, TIN PLATED
 - B. HOUSING - VINYL, YELLOW
- SEE www.panduit.com FOR PACKAGE QUANTITIES
- DIMENSIONS IN BRACKETS ARE IN MILLIMETERS
- WIRE STRIP LENGTH: $3/16" \begin{matrix} +1/32" \\ -0 \end{matrix} [4,8mm \begin{matrix} +0,8 \\ -0 \end{matrix}]$

TITLE		FORK TERMINAL, VINYL INSULATED #26-22 AWG CUSTOMER DRAWING	
ITEM REVISION NAME		N41232BA/11	
DATASET FILE NAME		N41232BA/11	
UNLESS OTHERWISE SPECIFIED, DIMENSIONAL TOLERANCES ARE: IN [mm]		MATERIAL: SEE NOTES	
.X ± .XX ±		.XXX ± ANGLES ±	
THIRD ANGLE PROJECTION		DRAWING NUMBER: A41232	
DRAWN BY	DATE	CHK	SCALE
DAW		CH	N/A
REV		SHT 1 OF 1	
DATE		A	

REV	DATE	BY	CHK	APR	DESCRIPTION	ECN
11	8/19	MRJS	SKB	JADE	REMOVED NOTE WITH RoHS DIRECTIVE NUMBER - SEE WEBSITE	051121/00
10	4/15	JHNU	TMR	RGB	ADDED CT-2500 TOOL, UPDATED TOOL FORMAT	N41232BA-DC
09	1/15	JHNU	TMR	RGB	ADDED WIRE STRIP LENGTH NOTE REVISED TITLE BLOCK	N41232BA-DC

D10100DA/16