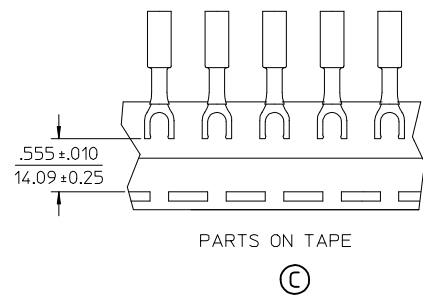
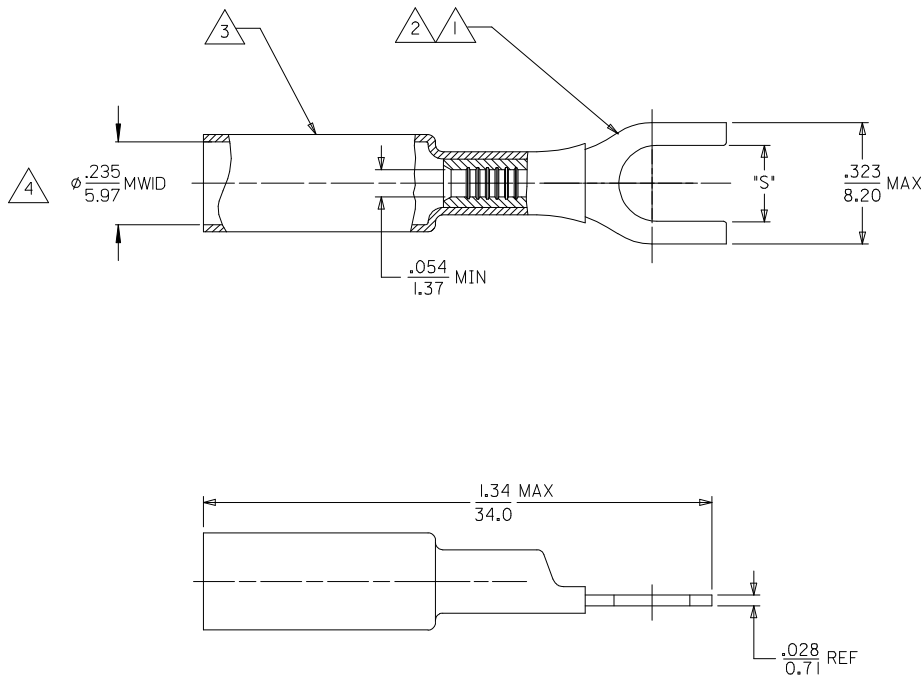


MATERIAL NUMBER	ENGINEERING NUMBER	STUD SIZE	SLOT "S" ± 0.10 ± 0.25	PACKAGING
191640006	SA-235-06	6	$\emptyset.146/3.71$	LOOSE PIECE
191640007	SA-235-08	8	$\emptyset.173/4.39$	
191640008	SA-235-10	10	$\emptyset.198/5.03$	
191641155	SA-235-06T	6	$\emptyset.146/3.71$	TAPE MOUNTED
191641156	SA-235-08T	8	$\emptyset.173/4.39$	
191641157	SA-235-10T	10	$\emptyset.198/5.03$	



NOTES:

1. TERMINAL MATERIAL: COPPER ALLOY
2. FINISH: ELECTRO TIN PLATE.
3. INSULATION MATERIAL: HEAT SHRINKABLE TUBING WITH HOTMELT ADHESIVE INNER LINER. COLOR: RED.
4. MWD = MAXIMUM WIRE INSULATION DIAMETER.
5. PARTS ARE ROHS COMPLIANT.

SALES DRAWING

ADD TAPES NUMBERS EC NO: IPG2016-1045 DRAWING: JASO1 2016/01/26 CHKD: JMACNEIL 2016/01/26 APPR: JMACNEIL 2016/03/29	DESCRIPTION REV	QUALITY SYMBOLS ▽=0 ▽=0	GENERAL TOLERANCES (UNLESS SPECIFIED)		DIMENSION STYLE IN/MM	SCALE ---	DESIGN UNITS INCH	THIRD ANGLE PROJECTION
			4 PLACES ± ---	3 PLACES ± ---	2 PLACES ± ---	1 PLACE ± ---	ANGULAR ± ---°	DRAWN BY ASAYDEH
DRAFT WHERE APPLICABLE MUST REMAIN WITHIN DIMENSIONS			SEE CHART		MATERIAL NO.	DOCUMENT NO.	SHEET NO.	
					SD-19164-025		1 OF 1	
THIS DRAWING CONTAINS INFORMATION THAT IS PROPRIETARY TO MOLEX INCORPORATED AND SHOULD NOT BE USED WITHOUT WRITTEN PERMISSION								