

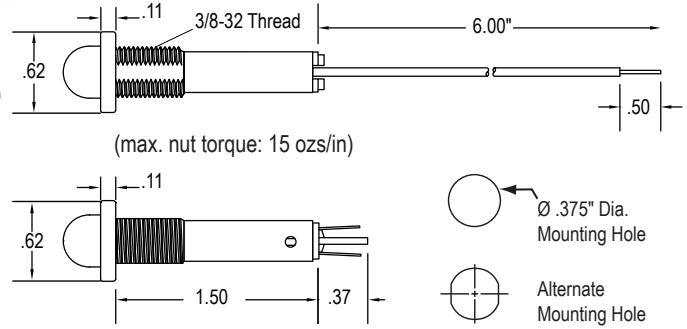
# Series 64

## Features

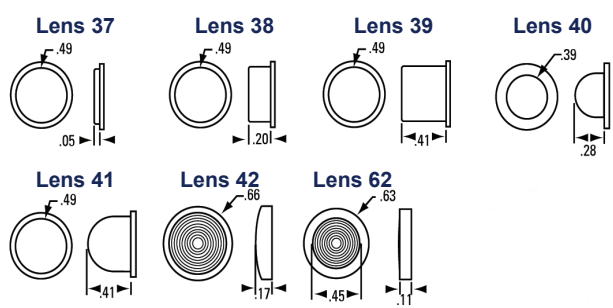
- Fits into .375 panel hole
- LED, incandescent, and neon illumination
- Sealed, NEMA 3-R

## Specifications

- Body Material: Nylon
- Lens Material: Polycarbonate
- Wire Gauge: 18 ga.
- Wire Strip: 1/2"
- Terminals: .187 Tabs
- Panel Thickness: .030" to .250"
- Certifications: Contact Us



Series	Lamp			Termination		Base		Bezel		Lens						
XX	XX			X		X		X		XXX					X	0
64	Voltage	Type	Code	Style	Code	Color	Code	Finish	Code	Style	Code	Color	Code	Color	Code	
	2	LED	10	6" Wire	1	White	1	Stainless	1	Cylinder Translucent <sup>1</sup>	371	Red	1			
	6	LED	11	.187 Tabs	3			Bright	2	Cylinder Diamond	373	Amber	2			
	14	LED	12					Black	3	Cylinder Rings	376	Clear <sup>2</sup>	3			
	28	LED	13							Cylinder Translucent <sup>1</sup>	381	Green	4			
	125	LED	15							Cylinder Diamond	383	Blue	5			
	250	LED <sup>3</sup>	16							Cylinder Rings	386	White	6			
	6	INCAND	32							Cylinder Translucent <sup>1</sup>	391	Yellow	8			
	14	INCAND	35							Cylinder Diamond	393					
	28	INCAND	39							Cylinder Rings	396	Color		Marked		
	125	NEON	50							Small Dome Translucent <sup>1</sup>	401	Red	A			
	250	NEON	52							Small Dome Lines	405	Amber	B			
		Special	XX							Large Dome Translucent <sup>1</sup>	411	Clear <sup>2</sup>	C			
										Large Dome Lines	415	Green	D			
										Flush Lens w/Tapered Bezel <sup>4</sup>	626	Blue	E			
												White	F			
												Yellow	H			



**Additional Options Available:**  
Contact Factory

1. Translucent Lens not recommended for use with LED
2. Specify LED Color
3. Wire Leads only
4. Bright Bezel only, use code 2