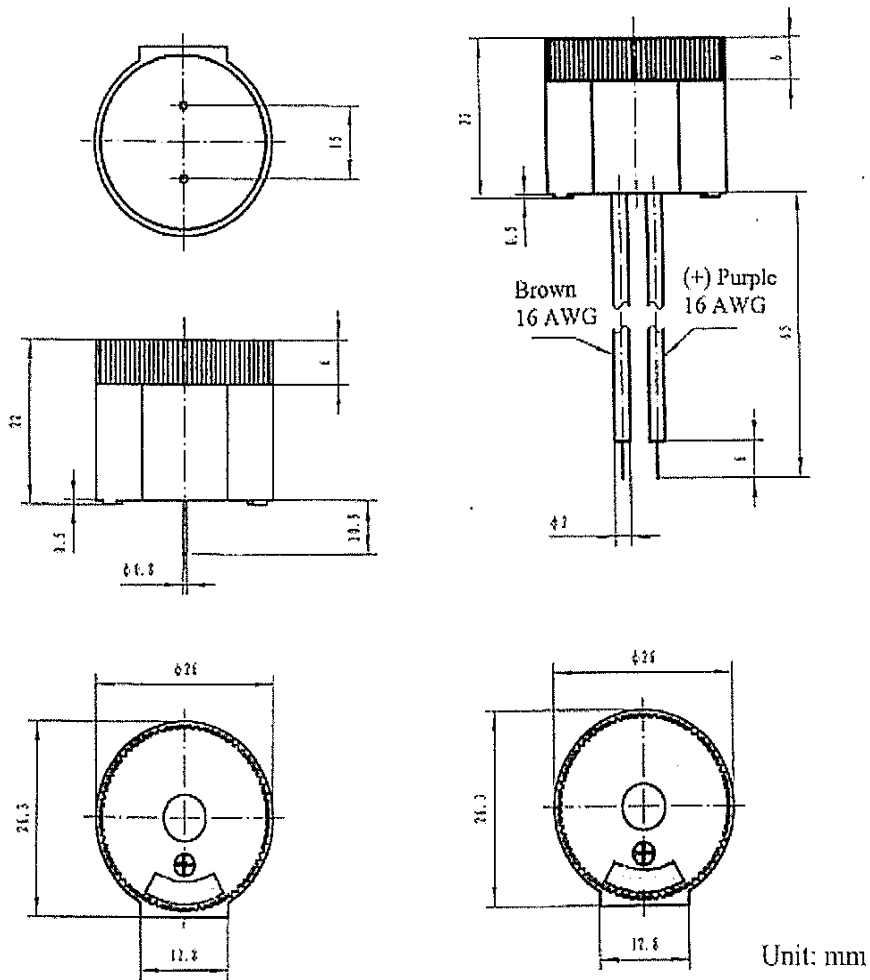


| Specification                 |                        |       |
|-------------------------------|------------------------|-------|
| Item                          | Value                  | Units |
| Rated Voltage                 | - 12                   | Vdc   |
| Operating Voltage Range       | 6-18                   | Vdc   |
| *Current (max.)               | 25                     | mA    |
| *Sound Pressure Level @ 30 cm | 97 (min.) / 100 (Typ.) | dBA   |
| Resonant Frequency            | 2700 +/- 500           | Hz.   |
| Tone                          | Continuous             |       |
| Operating Temperature         | -20 to +60             | °C    |
| Storage Temperature           | -30 to +80             | °C    |
| Case Material                 | ABS (Grey)             |       |
| Weight                        | 12                     | g     |
| Termination                   | L=wire / P= pin        |       |



Unit: mm

### TRIP-80x Series Audio Indicator

|  |              |                  |
|--|--------------|------------------|
| SCALE: Not to Scale                        | APPROVED BY: | DRAWN BY: EDP    |
| DATE: 3/01                                 |              | REVISED: 4/22/09 |
| Transducers-USA Elk Grove Village, IL. USA |              |                  |
|  |              | DRAWING NUMBER   |

**Transducers USA**  
**Confidential &**  
**Proprietary**