

PLEASE CHECK WWW.MOLEX.COM FOR LATEST PART INFORMATION

Part Number: **0192120005**
Status: **Active**
Overview: Wire Pins
Description: InsulKrimp Wire Pin Terminal for 16-14 AWG Wire

Documents:

Drawing (PDF) Product Specification PS-19902-013-001 (PDF)
Product Specification PS-19902-011-001 (PDF) RoHS Certificate of Compliance (PDF)

Agency Certification

CSA LR18689
 UL E32244

General

Product Family Crimp Terminals
 Series 19212
 Application Power
 Comments Pin Length 9.40mm
 Crimp Quality Equipment Yes
 Overview Wire Pins
 Packaging Alternative 19212-0006 (Adhesive Tape on Reel)
 Product Name Wire Pin
 UPC 800753053366

Physical

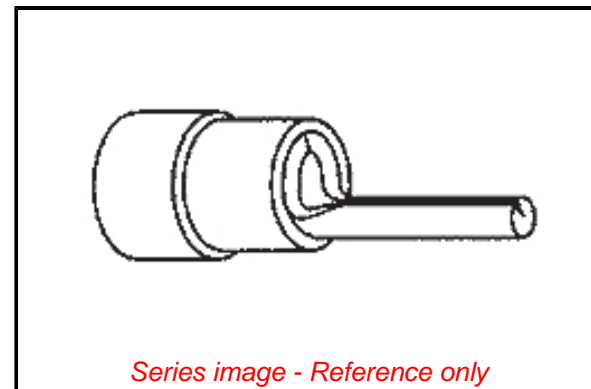
Flammability 94V-0
 Gender Male
 Material - Metal Copper
 Material - Plating Mating Tin
 Net Weight 0.780/g
 Packaging Type Bag
 Plating min - Mating 1.016µm
 Termination Interface: Style Crimp or Compression
 Wire Insulation Diameter 4.45mm max.
 Wire Size AWG 14, 16
 Wire Size mm² N/A

Material Info

Engineering Number WP-2614X

Reference - Drawing Numbers

Product Specification PS-19902-011-001, PS-19902-013-001
 Sales Drawing SD-19212-001



Series image - Reference only

EU ELV

Not Relevant

EU RoHS

Compliant

REACH SVHC

Not Contained Per
 -ED/01/2018 (15
 January 2018)

Halogen-Free

Status

Not Low-Halogen

**Need more information on product
 environmental compliance?**

Email productcompliance@molex.com
 Please visit the [Contact Us](#) section for any
 non-product compliance questions.

China ROHS	Green Image
ELV	Not Relevant
RoHS Phthalates	Not Contained

Search Parts in this Series

19212 Series

PLEASE CHECK WWW.MOLEX.COM FOR LATEST PART INFORMATION