

# Small Terminals

# Military Specifications Equivalents

## EQUIVALENT TABLES

### MILITARY SPECIFICATIONS

#### Terminals

BURNDY® Equivalents to SAE-AS25036 in accordance with Specification SAE-AS7928.

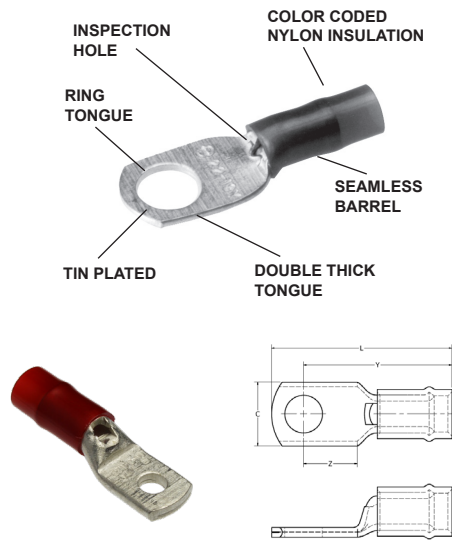
#### Terminals

BURNDY® Equivalents to SAE-AS20659 in accordance with Specification SAE-AS7928.

AS25036 Dash No.	Catalog Number	Class 1	Class 2	AS25036 Dash No.	Catalog Number	Class 1	Class 2	AS20659 Dash No.	Catalog Number	Class 1	Class 2	AS20659 Dash No.	Catalog Number	Class 1	Class 2
101	YAES18-N1	X	X	124	YAEV4C-L4	X		105	YAV10	X	X	134	YAV1C-L3	X	
	YAE18-G43		X	125	YAEV4C-L2	X		106	YAV10-T2	X	X	135	YAV25-L3	X	
102	YAES18-N2	X	X	126	YAEV2C-L1	X		107	YAV8C-L	X		136	YAV26-L3	X	
	YAE18-N21		X	127	YAEV2C-L	X		108	YAV8C-L2	X		137	YAV28-L54	X	
103	YAES18-N3	X	X	128	YAEV2C-L4	X		109	YAV6C-L	X		140	YAV8C-L14	X	
	YAE18N		X	129	YAEV1C-L1	X		110	YAV6C-L2	X		141	YAV8C-L1	X	
104	YAES18-N4	X	X	130	YAEV1C-L	X		111	YAV4C-L	X		142	YAV8C-L4	X	
	YAE18-N3		X	131	YAEV1C-L3	X		112	YAV4C-L2	X		143	YAV6C-L10	X	
105	YAES18-N5	X	X	132	YAEV25-L1	X		113	YAV2C-L1	X		144	YAV4C-L3	X	
				133	YAEV25-L	X		114	YAV2C-L	X		145	YAV4C-L5	X	
106	YAES14-N6	X	X	134	YAEV25-L3	X		115	YAV1C-L1	X		146	YAV2C-L3	X	
	YAE14-N43		X	135	YAEV26-L2	X		116	YAV1C-L	X		147	YAV2C-L2	X	
107	YAES14-N7	X	X	136	YAEV26-L	X		117	YAV25-L1	X		148	YAV2C-L11	X	
	YAE14-N43		X												
108	YAES14-N8	X	X	137	YAEV26-L3	X		118	YAV25-L	X		149	YAV1C-L2	X	
	YAE14N		X	143	YAE22-G18		X	119	YAV26-L2	X		150	YAV1C-L4	X	
109	YAES14-N9	X	X	144	YAE22-G16		X	120	YAV26-L	X		151	YAV25-L2	X	
	YAE14-N3		X	145	YAE22-G13		X	121	YAV27-L	X		152	YAV25-L16	X	
110	YAES14-N10	X		146	YAE22-G14		X	122	YAV27-L1	X		153	YAV26-L1	X	
	YAE14-N4		X	147	YAE22-G15		X	123	YAV28-L	X		154	YAV26-L16	X	
111	YAES10-N11	X	X	148	YAES18-N48	X	X	124	YAV28-L12	X		155	YAV27-L20	X	
	YAE10-N5		X		YAE18-N17		X		128	YAV10-T4	X	X	156	YAV27-L18	X
112	YAES10-N12	X	X	149	YAES18-N49	X	X	129	YAV8C-L3	X		157	YAV28-L56	X	
	YAE10N		X		YAE18N1		X		130	YAV6C-L1	X		158	YAV28-L60	X
113	YAES10-N13	X	X	150	YAES18-N50	X	X	131	YAV6C-L4	X		159	YAV28-L13	X	
	YAE10-N2		X		YAE18N		X		132	YAV4C-L4	X		160	YAV28-L14	X
114	YAES10-N14	X		152	YAES14-N52	X	X	133	YAV2C-L4	X		165	YAV10-T7	X	X
	YAE10-N4		X	153	YAES14-N53	X	X								
115	YAEV8C-L	X	X	154	YAE14-N1		X	<p><b>Main Office Cage Code Number: 1NJK8</b></p> <p><b>Notes:</b> For factory cage code numbers, please contact your local BURNDY® sales representative or the Headquarters at the phone number shown below.</p> <p>SAE stands for the Society of Automotive Engineering, which has replaced the Military Specifications.</p>							
116	YAEV8C-L1	X			YAES14-N54	X	X								
117	YAEV8C-L2	X		YAE14-N2		X									
118	YAEV8C-L3	X		YAES14-N55	X										
119	YAEV6C-L1M	X		156	YAES10-N56	X	X								
120	YAEV6C-LM	X			YAE10-N11		X								
121	YAEV6C-L4M	X		157	YAES10-N57	X	X								
122	YAEV6C-L2M	X			YAE10-N3		X								
123	YAEV4C-L	X		158	YAES10-N58	X	X								

TYPES YAEV / YAEV-L

INSULUG™



**NOTE:** Field bending straight lugs to achieve an angular connection will void UL Listing / CSA Certifications and BURNDY will not be liable for the connection.

600 Volts Max., 150°C, Max.

The INSULUG™ type YAEV is designed for very demanding high vibration applications encountered in aircraft and aboard ships as well as motor lead applications in hospitals, industrials and generating plants. The nylon insulated seamless, electrolytic copper barrel with double thick tongue provides an extra strong insulated connection. The terminal is rated 105°C and meets SAE-AS7928 requirements.

Features & Benefits

- Double thick tongue for maximum reliability and electrical capacity plus an extra strong terminal tongue
- Manufactured from one-piece pure electrolytic copper — high conductivity, low resistance with no seams to split plus ductility for excellent crimp forming properties
- Electro-tin plated to provide long-lasting corrosion resistance
- Nylon insulation is locked in place — Insulation will not move or twist off
- 300 volt nylon insulation providing high dielectric strength and stability in demanding oily environmental conditions
- Color Coded providing quick, easy wire size connector selection

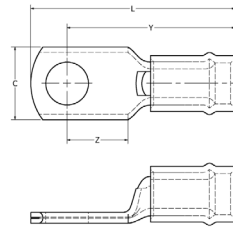
Catalog Number	Wire Range AWG, AN Aircraft	Stud Size	Dimensions				Bulk Catalog Number	Installation Tooling	Wire Strip Length
			C	Z Min.	Y Max.	L Max.			
YAEV18BOX	22-18 Max. Insul. Dia. Accom.: .125 Color Code: Red	8-10	0.31	0.24	0.77	0.91	YAEV18	Ratchet: MR8D94, MRE1022NV	1/4"
YAEV14BOX	18-14 Max. Insul. Dia. Accom.: .154 Color Code: Blue	8-10	0.31	0.24	0.81	0.94	YAEV14	Ratchet: MR8D94, MRE1022NV	1/4"
YAEV10-T7BOX	12-10 Max. Insul. Dia. Accom.: .209 Color Code: Yellow	4-6	0.30	0.24	0.95	1.12	YAEV10-T7	Ratchet: MR8D94 MR8-33-T1 M8ND with N10ET-9 Die MR4 10M MRE1022NV	5/16"
YAEV10-T11BOX		6-8	0.37	0.26	0.97	1.16	YAEV10-T11		
YAEV10BOX		8-10	0.37	0.26	0.97	1.16	YAEV10		
YAEV10-L36BOX		8-10	0.30	0.18	0.89	1.04	YAEV10-L36		
YAEV10-T3BOX		1/4	0.47	0.38	1.12	1.30	YAEV10-T3		
YAEV10-T2BOX		5/16	0.53	0.31	1.12	1.36	YAEV10-T2		
YAEV10-T4BOX		3/8	0.56	0.35	1.12	1.38	YAEV10-T4		

Lake-View Electronics Corporation www.lvelectronics.com Ph: 1-800-686-8439 Fx: 262-375-0109 sales@lvelectronics.com

# Small Terminals

## Nylon Insulated Ring Tongue

### TYPES YAEV / YAEV-L (Continued)



**NOTE:** Field bending straight lugs to achieve an angular connection will void UL Listing / CSA Certifications and BURNDY will not be liable for the connection.

Catalog Number	Wire Range AWG, AN Aircraft	Stud Size	AS25036- No.	Dimensions				Bulk Catalog Number	Installation Tooling	HYPRESS™ Y29NC		Wire Strip Length
				C	Z Min.	Y Max.	L Max.			Nest	Indentor	
YAEV8C-L14BOX	8 Str. Max. Insul. Dia. Accom.: .258 Color Code: Red	8	—	0.41	0.28	1.18	1.40	YAEV8C-L14	Ratchet: M8ND with N8CET-2 Die Non-Ratchet: MY28-6* Hydraulic: Y35, Y39 with U8CET Die Set	DEV8L	Y29PLE-1	7/16"
YAEV8C-L1BOX		1/4	-116	0.46	0.32	1.23	1.47	YAEV8C-L1				
YAEV8C-L2BOX		5/16	-117	0.57	0.34	1.25	1.54	YAEV8C-L2				
YAEV8C-L3BOX		3/8	-118	0.57	0.34	1.25	1.54	YAEV8C-L3				
YAEV8C-L4BOX		1/2	—	0.73	0.48	1.39	1.77	YAEV8C-L4				
YAEV8C-LBOX	10	-115	0.41	0.28	1.18	1.40	YAEV8C-L					
YAEV6CL1BOX	6 Str. Max. Insul. Dia. Accom.: .313 Color Code: Blue	8-10	-119**	0.48	0.29	1.33	1.56	YAEV6C-L1**	Non-Ratchet: MY28-6* Hydraulic: Y35, Y39 with U6CET Die Set	DEV6L	Y29PLE-1	1/2"
YAEV6CLBOX		1/4	-120**	0.48	0.29	1.33	1.56	YAEV6C-L**				
YAEV6CL4BOX		5/16	-121**	0.60	0.36	1.39	1.68	YAEV6C-L4**				
—		3/8	-122**	0.60	0.36	1.39	1.68	YAEV6C-L2**				
YAEV6CL10BOX	1/2	—	0.73	0.47	1.53	1.91	YAEV6C-L10					
YAEV4CL3BOX	4 Str. Max. Insul. Dia. Accom.: .374 Color Code: Yellow	8-10	—	0.55	0.28	1.40	1.62	YAEV4C-L3	Non-Ratchet: MY28-6* Hydraulic: Y35, Y39 with U4CET Die Set	DEV4L	Y29PLE-1	1/2"
YAEV4CLBOX		1/4	-123	0.55	0.28	1.37	1.62	YAEV4C-L				
YAEV4CL4BOX		5/16	-124	0.63	0.34	1.43	1.74	YAEV4C-L4				
—		3/8	-125	0.63	0.34	1.43	1.74	YAEV4C-L2				
—	1/2	—	0.73	0.47	1.56	1.92	YAEV4C-L5					
YAEV2CL3BOX	2 Str. Max. Insul. Dia. Accom.: .459 Color Code: Red	10	—	0.69	0.35	1.72	2.03	YAEV2C-L3	Non-Ratchet: MY28-6* Hydraulic: Y35, Y39 with U2CET Die Set	DEV2L	Y29PLE	5/8"
YAEV2CL1BOX		1/4	-126	0.69	0.35	1.61	2.03	YAEV2C-L1				
YAEV2CL2BOX		5/16	—	0.69	0.35	1.68	2.03	YAEV2C-L2				
YAEV2CLBOX		3/8	-127	0.69	0.35	1.69	2.03	YAEV2C-L				
—	1/2	-128	0.77	0.47	1.80	2.16	YAEV2C-L4					
—	1 Str. Max. Insul. Dia. Accom.: .516 Color Code: White	1/4	-129	0.76	0.38	1.63	2.14	YAEV1C-L1	Non-Ratchet: MY28-6* Hydraulic: Y35, Y39 with U1CET Die Set	DV26L	Y29PLE	5/8"
—		5/16	—	0.76	0.38	1.71	2.14	YAEV1C-L2				
YAEV1CLBOX		3/8	-130	0.76	0.38	1.72	2.14	YAEV1C-L				
—	1/2	-131	0.86	0.47	1.86	2.27	YAEV1C-L3					
—	1/0 Str. Max. Insul. Dia. Accom.: .564 Color Code: Blue	1/4	-132	0.83	0.43	1.97	2.40	YAEV25-L1	Non-Ratchet: MY28-6* Hydraulic: Y35, Y39 with U25ET Die Set	DEV25L	Y29PLE	11/16"
—		5/16	—	0.83	0.43	1.97	2.40	YAEV25-L2				
—		3/8	-133	0.83	0.43	1.97	2.40	YAEV25-L				
—		1/2	-134	0.88	0.47	2.02	2.46	YAEV25-L3				
—	5/8	—	0.88	0.63	2.17	2.67	YAEV25-L4					
—	2/0 Str. Max. Insul. Dia. Accom.: .628 Color Code: Yellow	1/4	—	0.93	0.49	2.19	2.72	YAEV26-L1	Non-Ratchet: MY28-6* Hydraulic: Y35, Y39, Y750 with U26ET Die Set	DEV26L	Y29PLE	13/16"
—		5/16	-135	0.93	0.49	2.19	2.72	YAEV26-L2				
YAEV26LBOX		3/8	-136	0.93	0.49	2.19	2.72	YAEV26-L				
YAEV26L3BOX		1/2	-137	0.93	0.49	2.27	2.72	YAEV26-L3				

† Additional terminal stud sizes available.

\* BMY, BNCH-MT bench mount adapter available.

\*\* NOTE: Add suffix "M" to cat. number to conform to AS25036 - standard for these items only (example: YAEV6C-L1M). See above. Contact BURNDY® for UL Listed products.