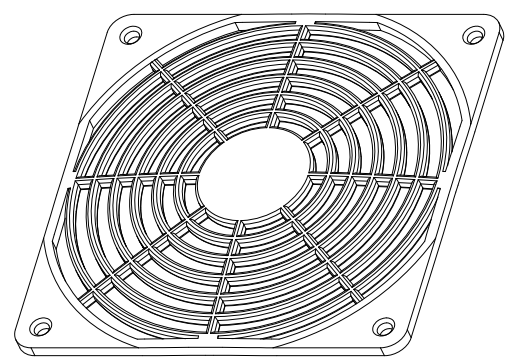
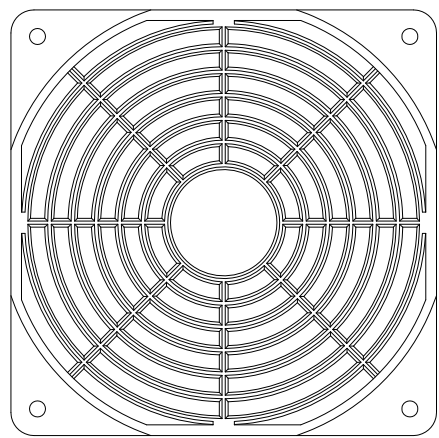
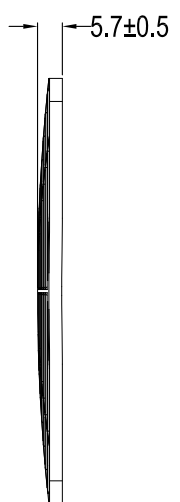
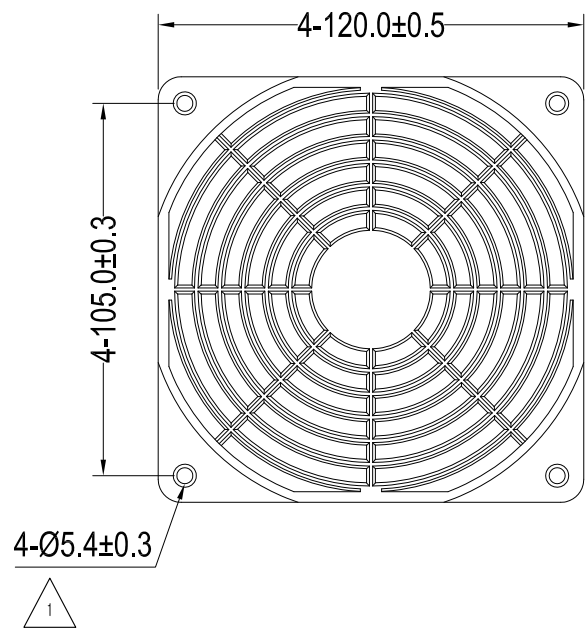


REVISED RECORD

REV NO.	CONTENT	CHG BY	DATE	APPROVED BY
0			01/18/2014	Gavin
1	△ E-1 孔位变更, 由原来的φ4.5, 变更为φ5.4		06/07/2018	Ivan



Fits for Fan Size:  
 120\*120\*25mm 120\*120\*32mm 120\*120\*38mm

- Specifications:
- \* Materials: ABS RoHS , UL rated 94V0 .
  - \* Ring spacing comply with safety agency Regulations .
  - \* Flat with Thru - hole style .
  - \* No Burr , Flash , Bruising , Scratches .
  - \*Product not deformation .

UNLESS OTHERWISE SPECIFIED TOLERANCES		UNITS
0 < L ≤ 20	± 0.05	
20 < L ≤ 50	± 0.07	
50 < L ≤ 100	± 0.10	
100 < L ≤ 150	± 0.15	
150 < L ≤ 200	± 0.20	
200 < L	± 0.25	

COOLTRON INDUSTRIAL SUPPLY, INC.  
**COOLTRON®**

DRAWN	Ivan	DATE	06/07/2018	TITLE	FGP-120C-1
CHECKED		DATE		Drawing Number	
APPROVED		DATE		Process:	SCALE 1:1 SHT 1 OF 1
THIRD ANGLE			PROJECT		