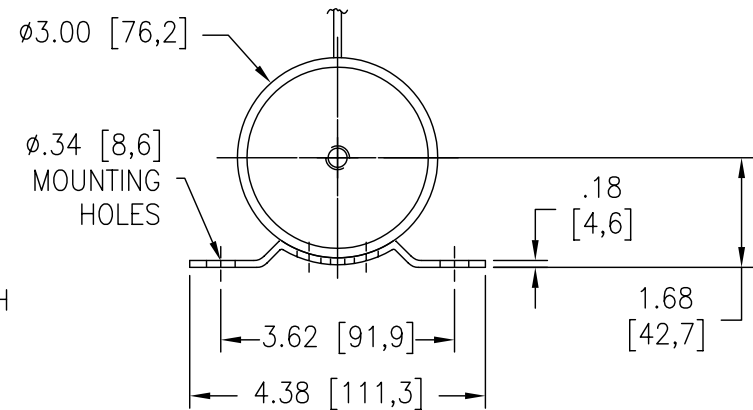
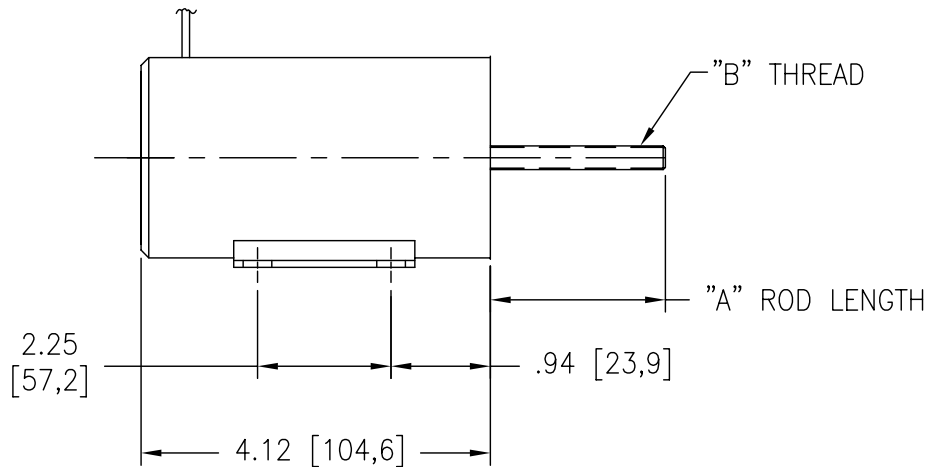
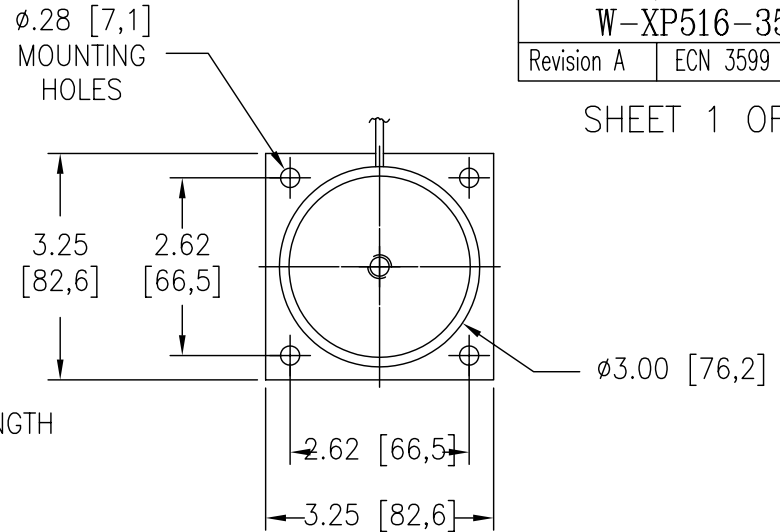
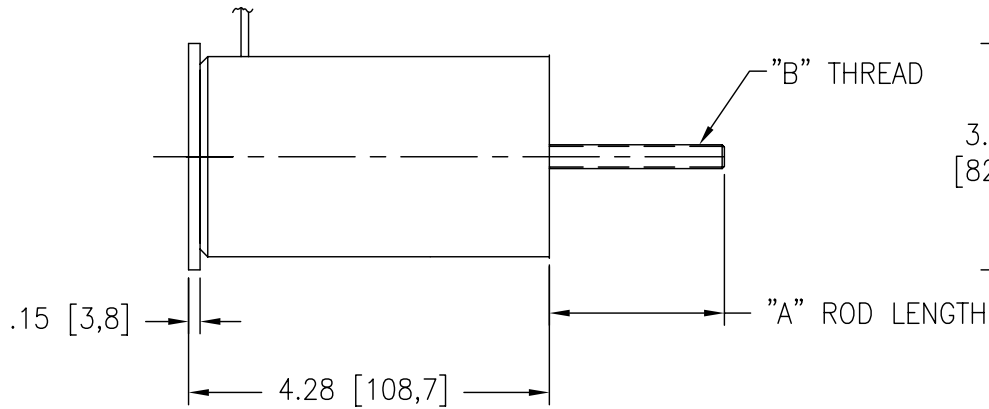


SHOWN ENERGIZED

XP516 SERIES		
Abbreviated Specifications & Dimensions		
W-XP516-35001		
Revision A	ECN 3599	10/10/00

SHEET 1 OF 2



HOUSINGS	PLUNGERS	RODS	"B" THREADS	"A" INSTALLED	BOOTS	CONNECTORS
E05362 Side Mount	F09002 3/8-16 Int. thrd.	E07372	3/8-16	3-3/4"	F10228 Boot Kit, Accord 3/8-16	
E06494 Base Mount		F08685	3/8-16	2-1/4"	F10229 Boot Kit, Flat	
		F09004	3/8-16	1-3/4"		
		F10042	3/8-16	13/16"		

SEE SHEET 2 FOR AVAILABLE COILS WITH FORCE CHARACTERISTICS

AVAILABLE COILS WITH FORCE CHARACTERISTICS

VOLTS D.C.	COILS	OHM RATING	DUTY CYCLE	WATTS	FORCE @ 2.5"	FORCE @ 1.5"	FORCE @ 1"	FORCE @ .50"	FORCE @ .25"
12 v.	R05439	.1	3.5%	1440	48 lb.	78 lb.	80 lb.	90 lb.	110lb.
	R05071	.19/5.7	6%	783	27 lb.	53 lb.	58 lb.	68 lb.	92 lb.
	R05537	.4/23.4	14%	366	15 lb.	36 lb.	40 lb.	50 lb.	72 lb.
	R05270	1.2	41%	120	4.8 lb.	15 lb.	20 lb.	29 lb.	49 lb.
24 v.	R05071	.19/5.7	1.5%	3133	95 lb.	110 lb.	115 lb.	130 lb.	150 lb.
	R05537	.4/23.4	3.5%	1465	55 lb.	81 lb.	85 lb.	95 lb.	125 lb.
	R05073	.78/23.4	6.5%	763	26 lb.	55 lb.	58 lb.	70 lb.	90 lb.
	R05270	1.2	10%	480	19 lb.	45 lb.	48 lb.	60 lb.	80 lb.
	R05165	13.6	100%	48	1.8 lb	5 lb.	7.5 lb.	15 lb.	28 lb.
108 v.	R05349	7.65	3.2%	1525	60 lb.	88 lb.	90 lb.	100 lb.	120 lb.
	R05165	13.6	5%	972	36 lb.	65 lb.	69 lb.	80 lb.	100 lb.
	R05636	315	100%	37	1.5 lb.	4 lb.	6 lb.	10 lb.	22 lb.
216 v.	R05349	7.65	1%	6099	107 lb.	180 lb.	180 lb.	180 lb.	190 lb.
	R05165	13.6	1.5%	3888	103 lb.	145 lb.	150 lb.	155 lb.	170 lb.
	R05636	315	33%	148	5.5 lb.	16 lb.	21 lb.	31 lb.	50 lb.